


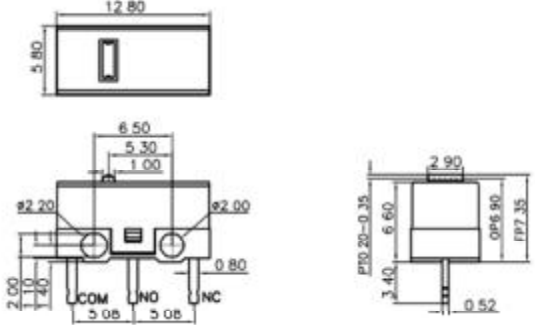
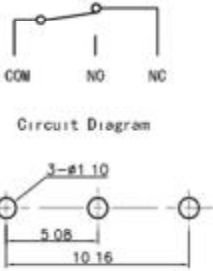
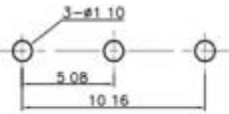

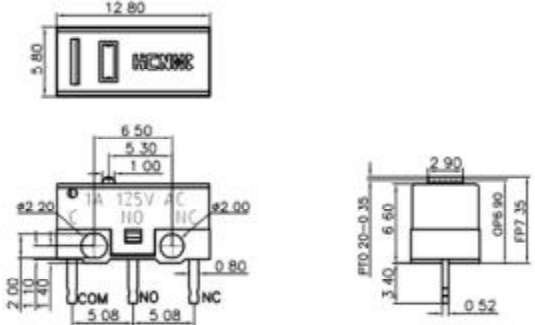
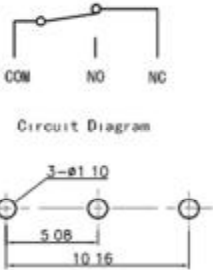
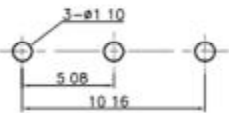

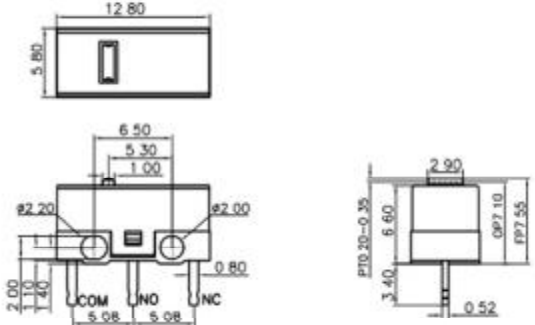
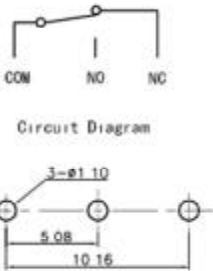
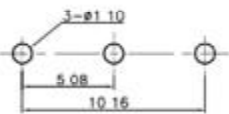

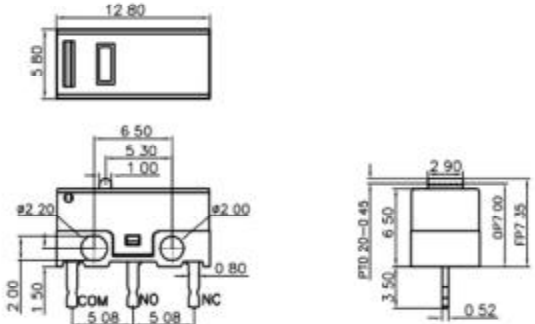
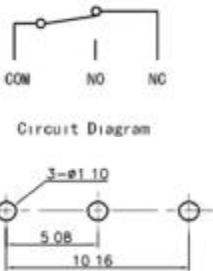
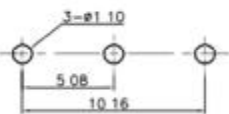
MICRO SWITCH SERIES



Specification :

- Current Rating AC 125V 1A DC30V 100mA
- Contact Resistance 50mΩ Max
- Insulation Resistance 100MΩ Min(DC250V)
- Withstand Voltage AC300V (50-60Hz) for 1 minute
- Operation Force 55±10gf 60±10gf 70±10gf 90±15gf
- Mechanical Life 300 0000 Cycles

Diagram

Model	Dimensions	Circuit Diagram
 M01128D0301055282		 COM NO NC Circuit Diagram  PCB Layout Recommended
 M01D0303070281		 COM NO NC Circuit Diagram  PCB Layout Recommended
 M01D0301070282		 COM NO NC Circuit Diagram  PCB Layout Recommended
 M21D0301170291		 COM NO NC Circuit Diagram  PCB Layout Recommended


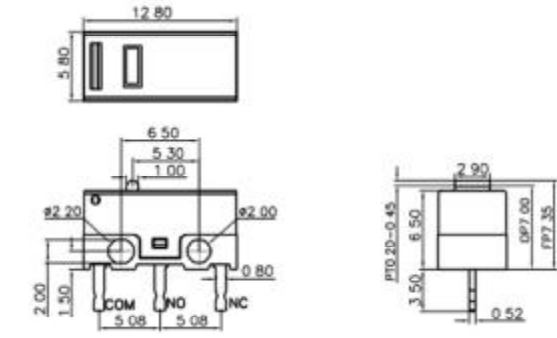
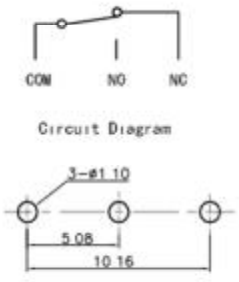
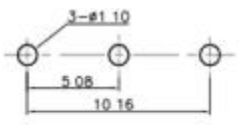
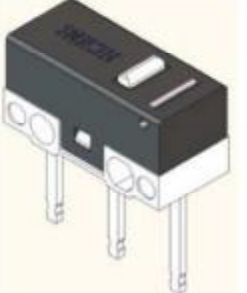
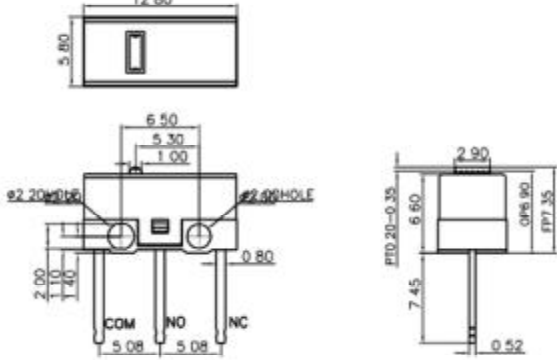
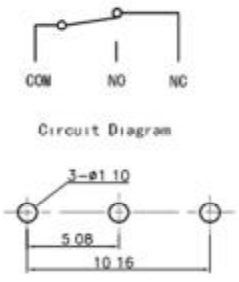
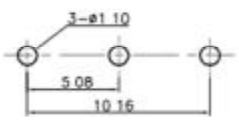
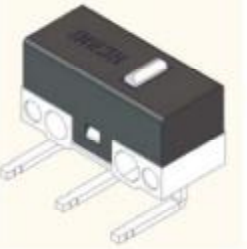
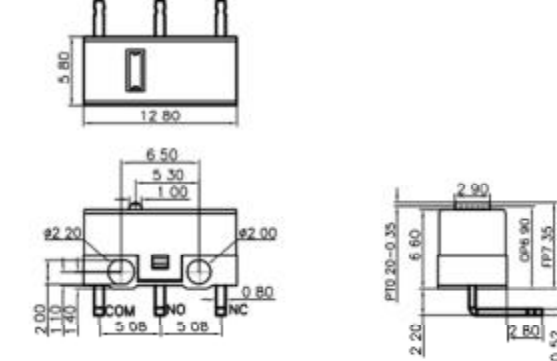
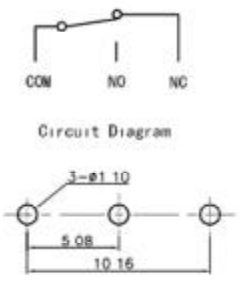
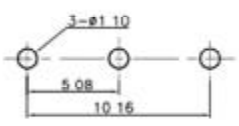
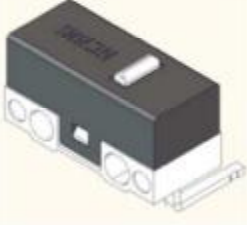
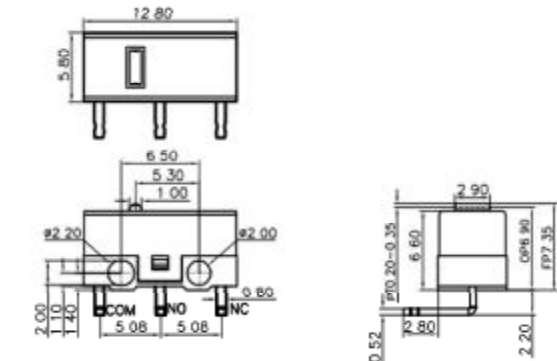
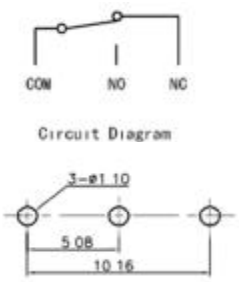
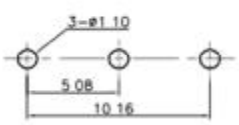
MICRO SWITCH SERIES



Specification :

- Current Rating AC 125V 1A DC30V 100mA
- Contact Resistance 50mΩ Max
- Insulation Resistance 100MΩ Min(DC250V)
- Withstand Voltage AC300V (50-60Hz) for 1 minute
- Operation Force 55±10gf 60±10gf 70±10gf 90±15gf
- Mechanical Life 300 0000 Cycles

Diagram

Model	Dimensions	Circuit Diagram
 M21D0301195290		 COM NO NC Circuit Diagram  PCB Layout Recommended
 M31R0301070281		 COM NO NC Circuit Diagram  PCB Layout Recommended
 M31R0302070282		 COM NO NC Circuit Diagram  PCB Layout Recommended
 M31R0303070282		 COM NO NC Circuit Diagram  PCB Layout Recommended

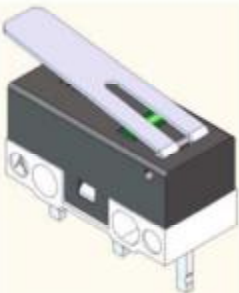
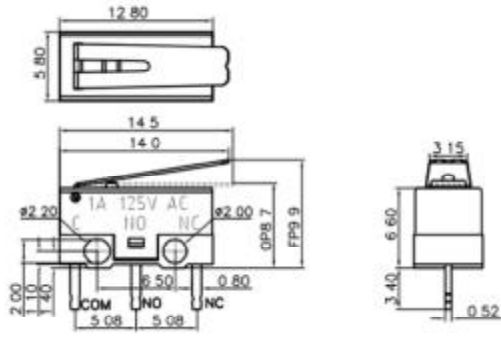
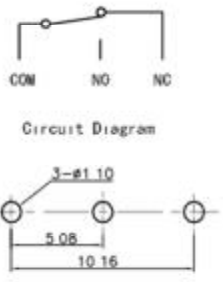
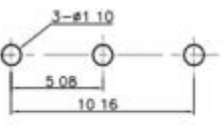
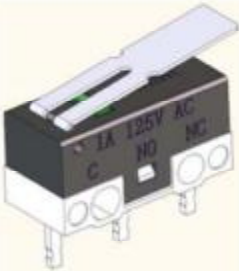
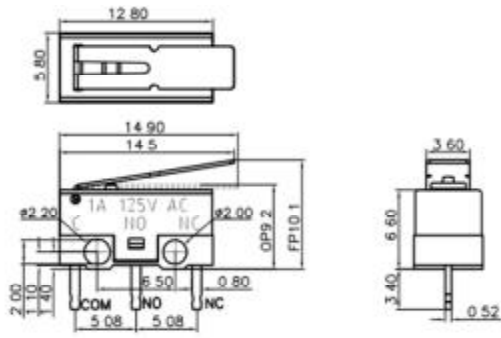
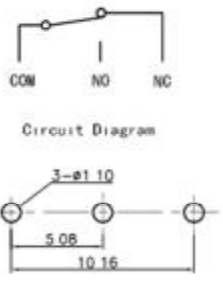
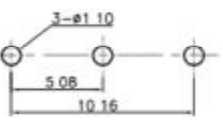

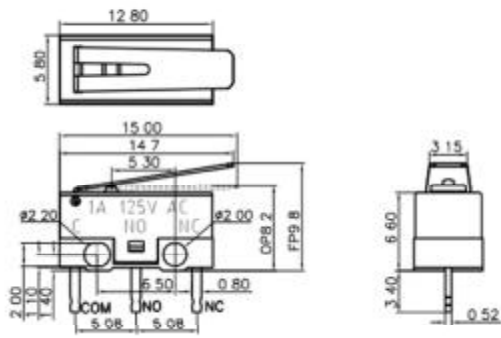
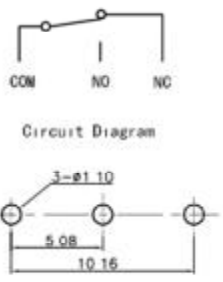
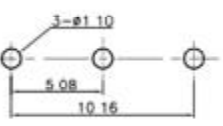
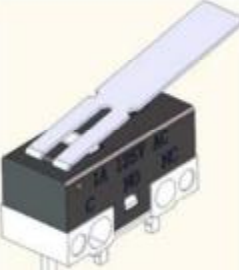
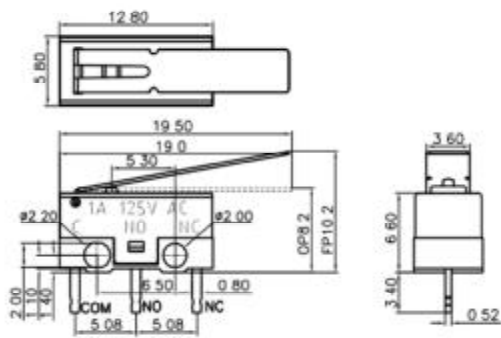
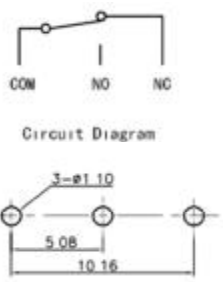
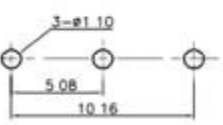
MICRO SWITCH SERIES



Specification :

- Current Rating AC 125V 1A DC30V 100mA
- Contact Resistance 50mΩ Max
- Insulation Resistance 100MΩ Min(DC250V)
- Withstand Voltage AC300V (50-60Hz) for 1 minute
- Operation Force 55±10gf 60±10gf 70±10gf 90±15gf
- Mechanical Life 300 0000 Cycles

Diagram

Model	Dimensions	Circuit Diagram
 MO1128D0306125301		 COM NO NC Circuit Diagram  PCB Layout Recommended
 MO1128D0301125301		 COM NO NC Circuit Diagram  PCB Layout Recommended
 MO1128D0303125281		 COM NO NC Circuit Diagram  PCB Layout Recommended
 MO1128D03011251281		 COM NO NC Circuit Diagram  PCB Layout Recommended

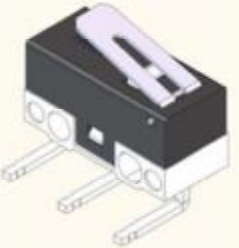
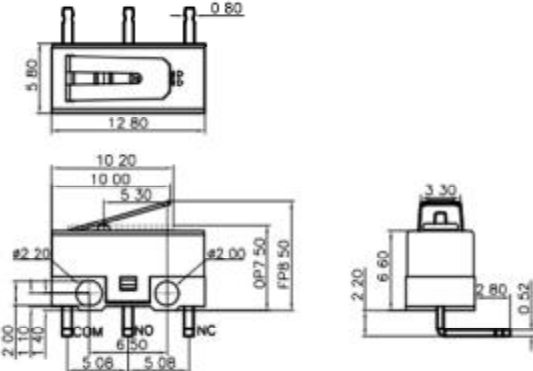
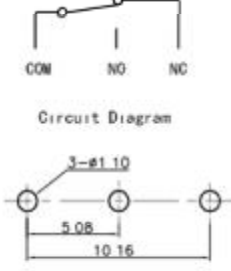

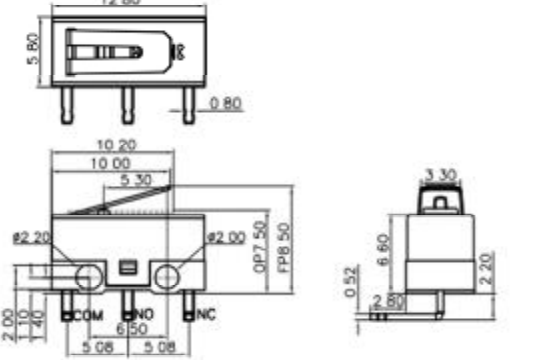
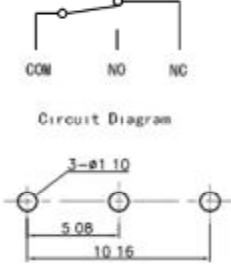
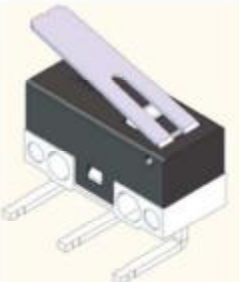
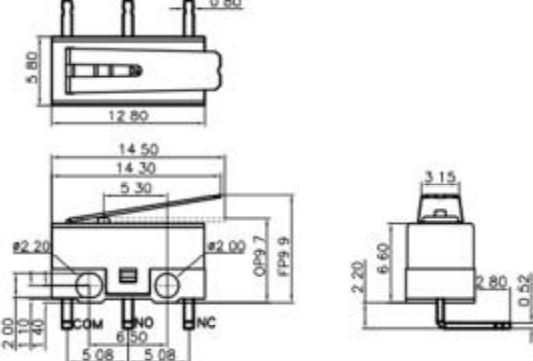
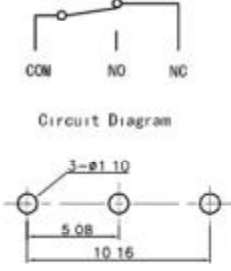

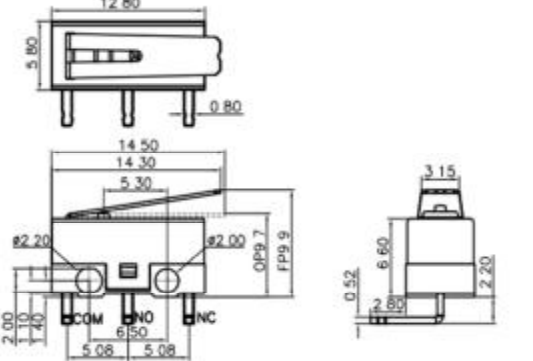
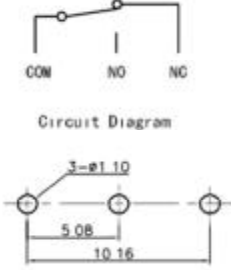
MICRO SWITCH SERIES



Specification :

- Current Rating AC 125V 1A DC30V 100mA
- Contact Resistance 50mΩ Max
- Insulation Resistance 100MΩ Min(DC250V)
- Withstand Voltage AC300V (50-60Hz) for 1 minute
- Operation Force 55±10gf 60±10gf 70±10gf 90±15gf
- Mechanical Life 300 0000 Cycles

Diagram

Model	Dimensions	Circuit Diagram
 M31R0301625281		 COM NO NC Circuit Diagram PCB Layout Recommended
 M31R0302625281		 COM NO NC Circuit Diagram PCB Layout Recommended
 M31R0301125281		 COM NO NC Circuit Diagram PCB Layout Recommended
 M31R0302125281		 COM NO NC Circuit Diagram PCB Layout Recommended


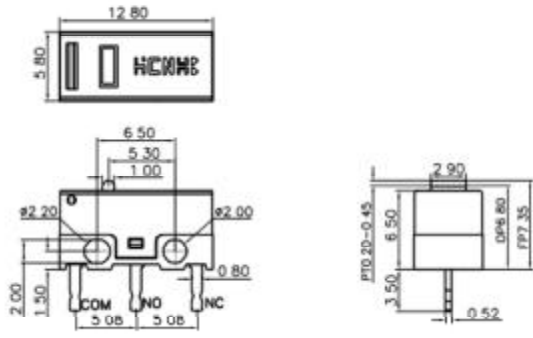
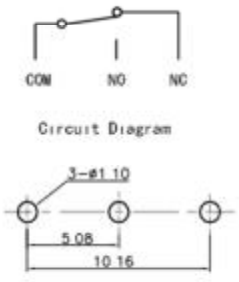

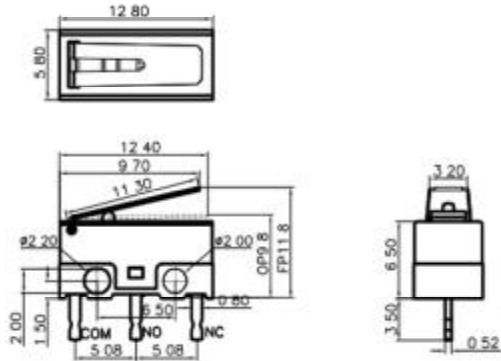
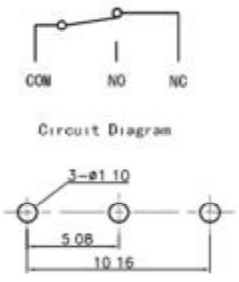

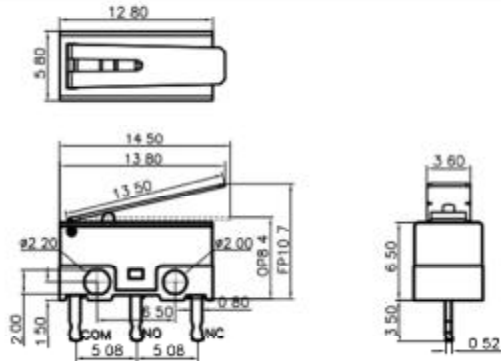
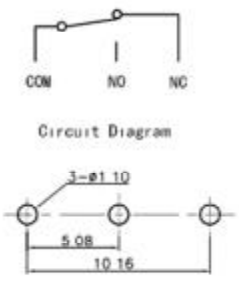

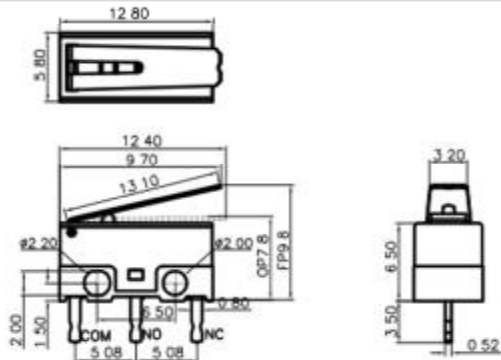
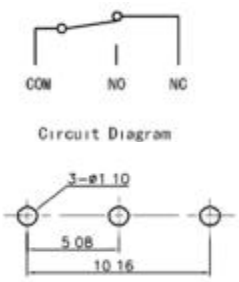
MICRO SWITCH SERIES



Specification :

- Current Rating AC125V 3A AC250V 1A DC30V 1A
- Contact Resistance 50mΩ Max
- Insulation Resistance 100MΩ Min(DC250V)
- Withstand Voltage AC300V (50-60Hz) for 1 minute
- Operation Force 25±10gf 95±15gf
- Load Life 4 0000 Cycles

Diagram

Model	Dimensions	Circuit Diagram
 M201D0301095291		 COM NO NC Circuit Diagram PCB Layout Recommended
 M201D0301125291		 COM NO NC Circuit Diagram PCB Layout Recommended
 M201D0303125291		 COM NO NC Circuit Diagram PCB Layout Recommended
 M201D0303125291		 COM NO NC Circuit Diagram PCB Layout Recommended


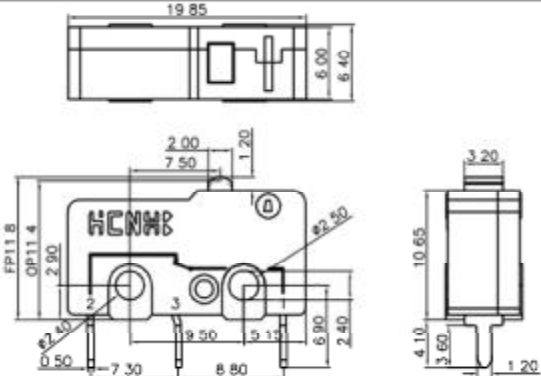
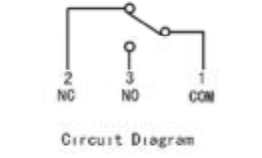
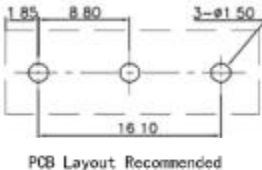

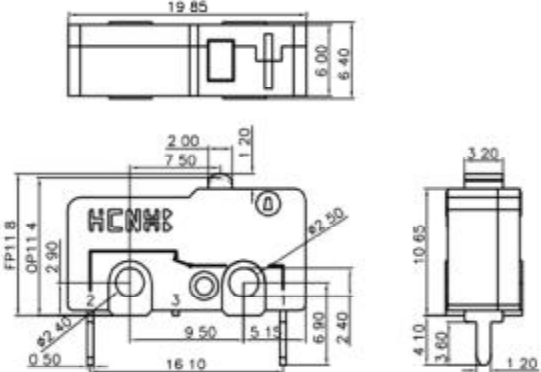
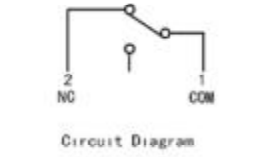
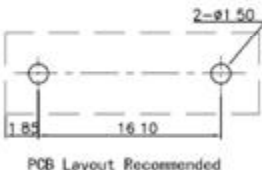

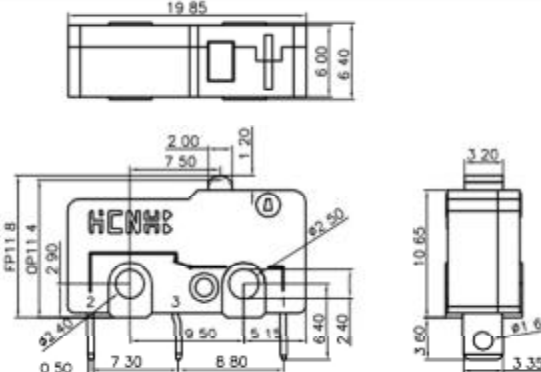
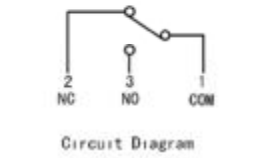


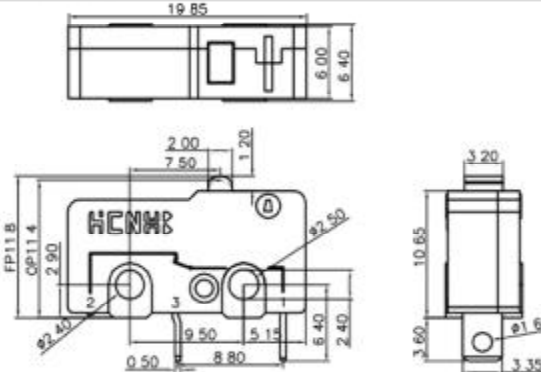
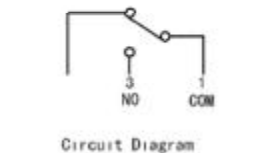

MICRO SWITCH SERIES



Specification :

- Current Rating AC 125V 1A DC30V 100mA
AC125V 5A/250V 3A
- Contact Resistance 100mΩ Max
- Insulation Resistance 100MΩ Min(DC250V)
- Withstand Voltage AC1000V(50-60Hz) for 1 minute
- Operation Force 20±10gf 25±10gf 30±10gf 100±30gf
- Mechanical Life 30 0000 Cycles
Load Life 20 000 Cycles

Diagram

Model	Dimensions	Circuit Diagram
 M11198D030101044		 Circuit Diagram  PCB Layout Recommended
 M11198D020101044		 Circuit Diagram  PCB Layout Recommended
 M11198W030101044		 Circuit Diagram  PCB Layout Recommended
 M11198W030301044		 Circuit Diagram  PCB Layout Recommended

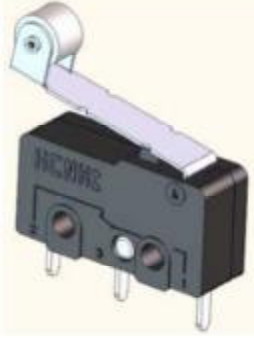
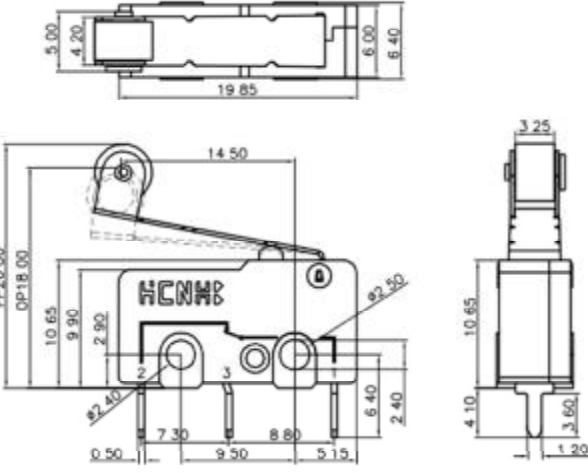
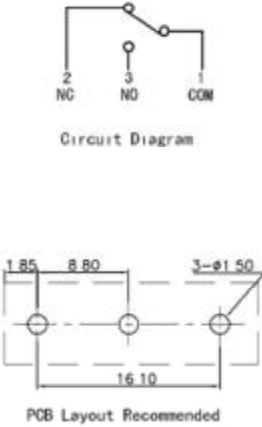

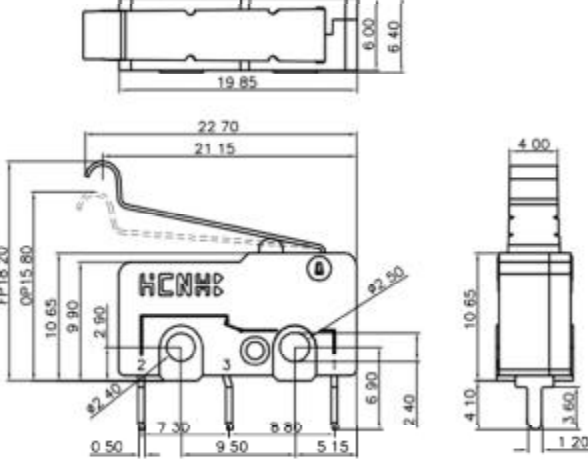
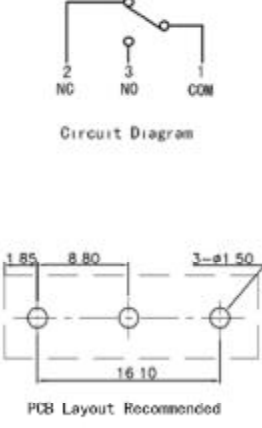

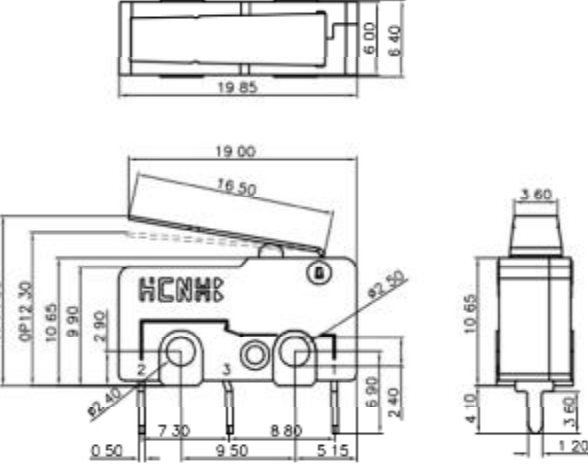
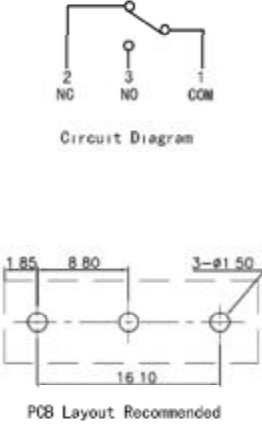
MICRO SWITCH SERIES



Specification :

- Current Rating AC 125V 1A DC30V 100mA
AC125V 5A/250V 3A
- Contact Resistance 100mΩ Max
- Insulation Resistance 100MΩ Min(DC250V)
- Withstand Voltage AC1000V(50-60Hz) for 1 minute
- Operation Force 20±10gf 25±10gf 30±10gf 100±30gf
- Mechanical Life 30 0000 Cycles
Load life 20 000 Cycles

Diagram

Model	Dimensions	Circuit Diagram
 <p>M11198D030143044</p>		 <p>Circuit Diagram</p> <p>PCB Layout Recommended</p>
 <p>M11198D030132544</p>		 <p>Circuit Diagram</p> <p>PCB Layout Recommended</p>
 <p>M11198D030113044</p>		 <p>Circuit Diagram</p> <p>PCB Layout Recommended</p>


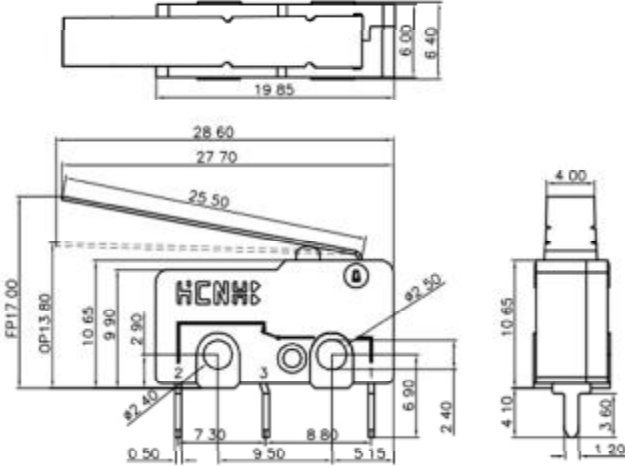
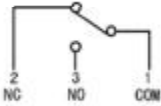
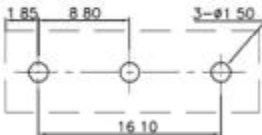

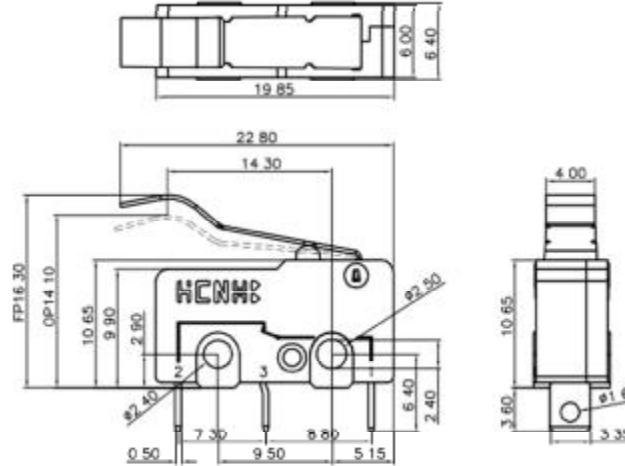
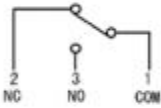

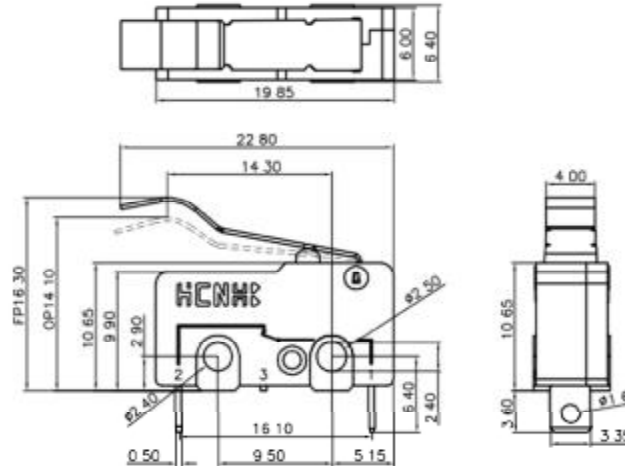
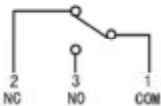
MICRO SWITCH SERIES



Specification :

- Current Rating AC 125V 1A DC30V 100mA
AC125V 5A/250V 3A
- Contact Resistance 100mΩ Max
- Insulation Resistance 100MΩ Min(DC250V)
- Withstand Voltage AC1000V(50-60Hz) for 1 minute
- Operation Force 20±10gf 25±10gf 30±10gf 100±30gf
- Mechanical Life 30 0000 Cycles
Load life 20 000 Cycles

Diagram

Model	Dimensions	Circuit Diagram
 <p>M11198D030112544</p>		 <p>Circuit Diagram</p>  <p>PCB Layout Recommended</p>
 <p>M11198W030153044</p>		 <p>Circuit Diagram</p> <p>PCB Layout Recommended</p>
 <p>M11198W030253044</p>		 <p>Circuit Diagram</p> <p>PCB Layout Recommended</p>


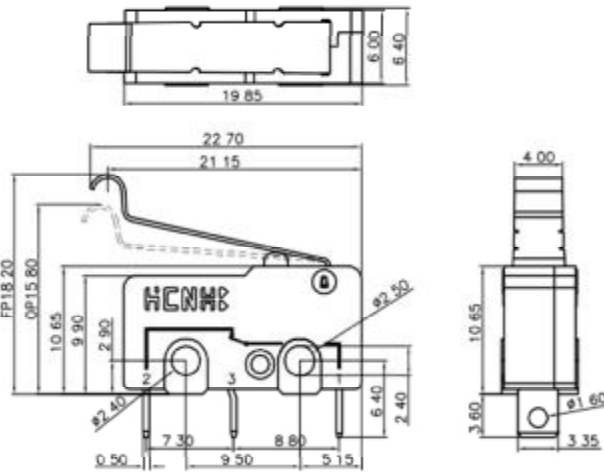
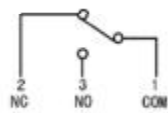

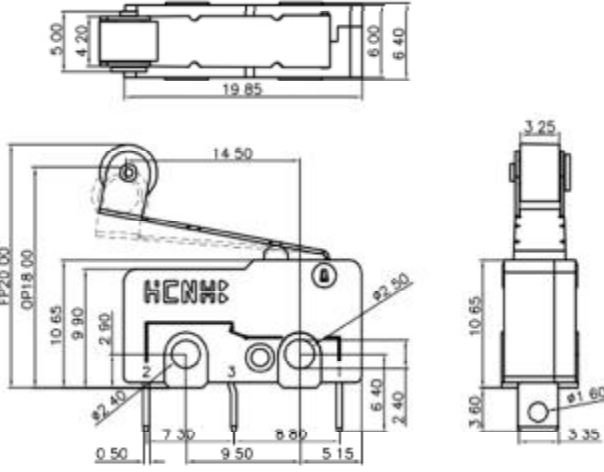
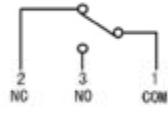

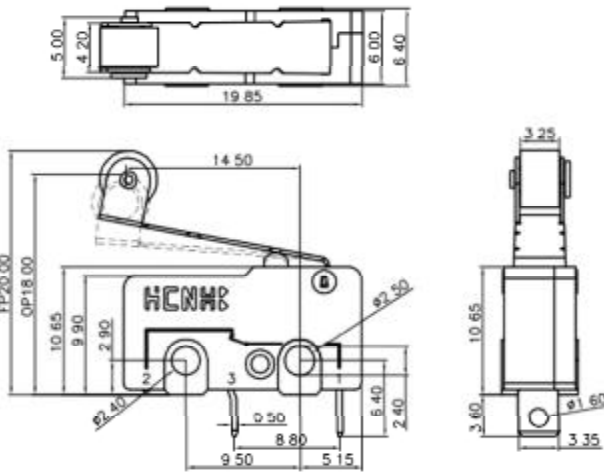
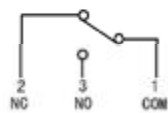
MICRO SWITCH SERIES



Specification :

- Current Rating AC 125V 1A DC30V 100mA
AC125V 5A/250V 3A
- Contact Resistance 100mΩ Max
- Insulation Resistance 100MΩ Min(DC250V)
- Withstand Voltage AC1000V(50-60Hz) for 1 minute
- Operation Force 20±10gf 25±10gf 30±10gf 100±30gf
- Mechanical Life 30 0000 Cycles
Load life 20 000 Cycles

Diagram

Model	Dimensions	Circuit Diagram
 <p>M11198W030133044</p>		 <p>Circuit Diagram</p> <p>PCB Layout Recommended</p>
 <p>M11198W030143044</p>		 <p>Circuit Diagram</p> <p>PCB Layout Recommended</p>
 <p>M11198W030343044</p>		 <p>Circuit Diagram</p> <p>PCB Layout Recommended</p>


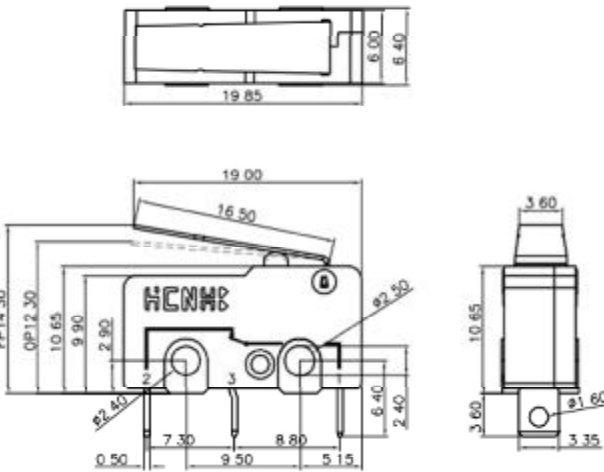
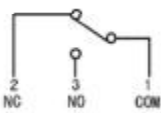
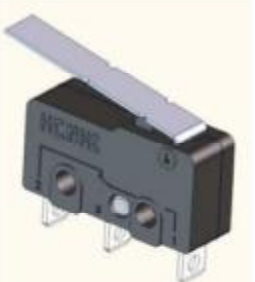
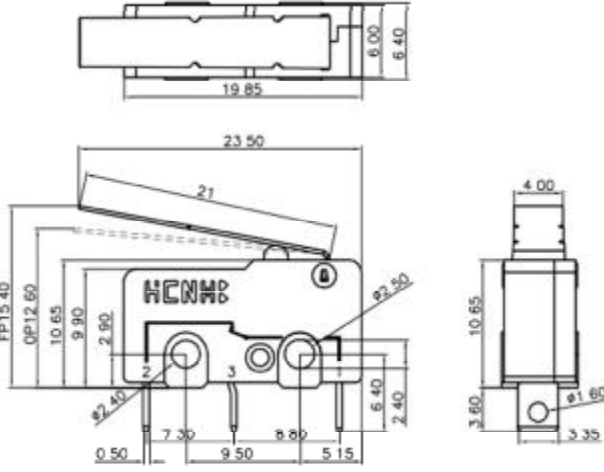
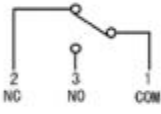

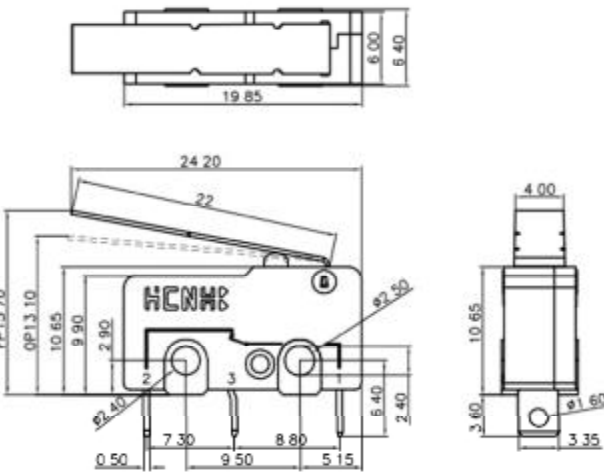
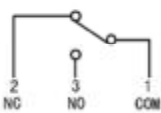
MICRO SWITCH SERIES



Specification :

- Current Rating AC 125V 1A DC30V 100mA
AC125V 5A/250V 3A
- Contact Resistance 100mΩ Max
- Insulation Resistance 100MΩ Min(DC250V)
- Withstand Voltage AC1000V(50-60Hz) for 1 minute
- Operation Force 20±10gf 25±10gf 30±10gf 100±30gf
- Mechanical Life 30 0000 Cycles
Load life 20 000 Cycles

Diagram

Model	Dimensions	Circuit Diagram
 <p>M11198W030113044</p>		 <p>Circuit Diagram</p> <p>PCB Layout Recommended</p>
 <p>M11198W030213044</p>		 <p>Circuit Diagram</p> <p>PCB Layout Recommended</p>
 <p>M11198W030313044</p>		 <p>Circuit Diagram</p> <p>PCB Layout Recommended</p>


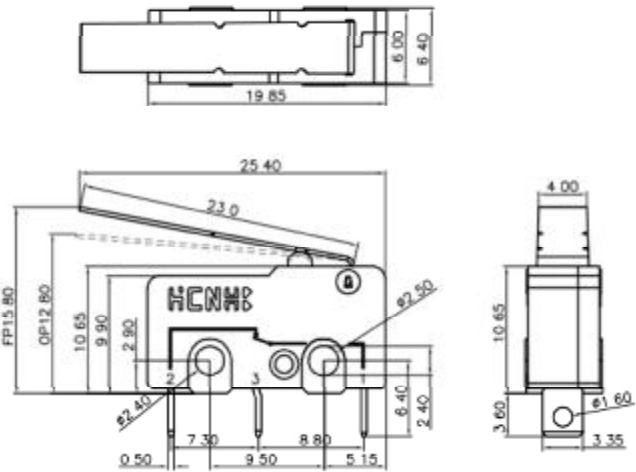
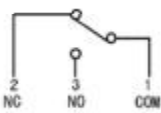

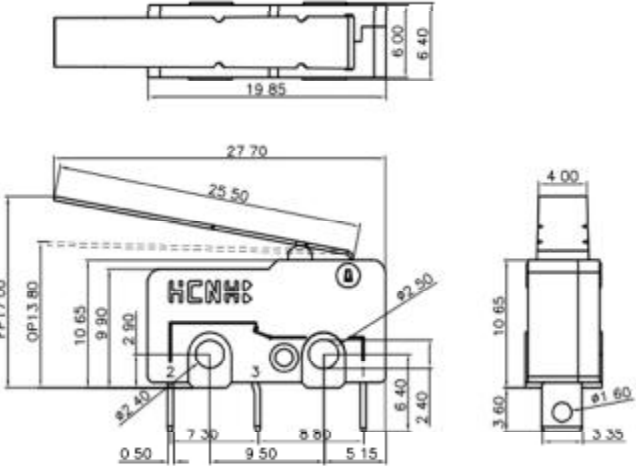
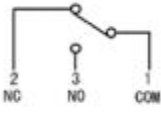

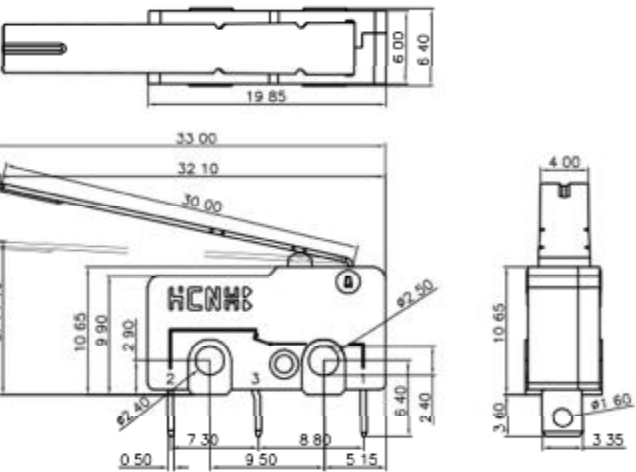
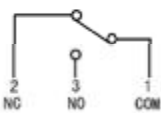
MICRO SWITCH SERIES



Specification :

- Current Rating AC 125V 1A DC30V 100mA
AC125V 5A/250V 3A
- Contact Resistance 100mΩ Max
- Insulation Resistance 100MΩ Min(DC250V)
- Withstand Voltage AC1000V(50-60Hz) for 1 minute
- Operation Force 20±10gf 25±10gf 30±10gf 100±30gf
- Mechanical Life 30 0000 Cycles
Load life 20 000 Cycles

Diagram

Model	Dimensions	Circuit Diagram
 M11198W030413044		 Circuit Diagram PCB Layout Recommended
 M11198W030112544		 Circuit Diagram PCB Layout Recommended
 M11198W030112044		 Circuit Diagram PCB Layout Recommended


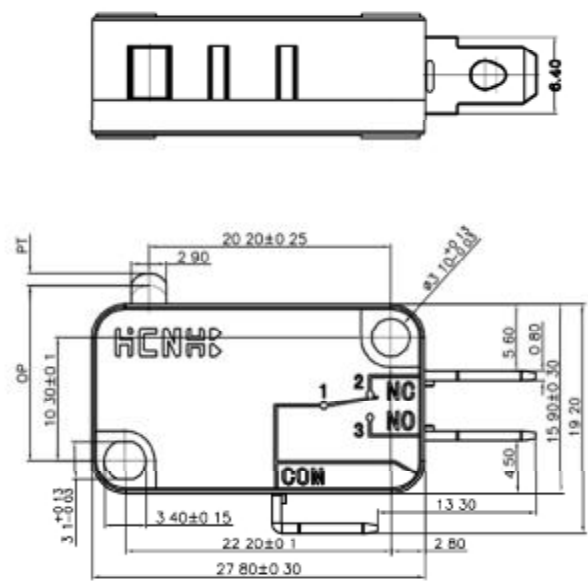
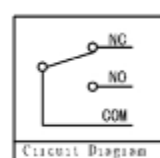
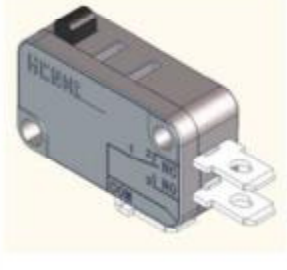
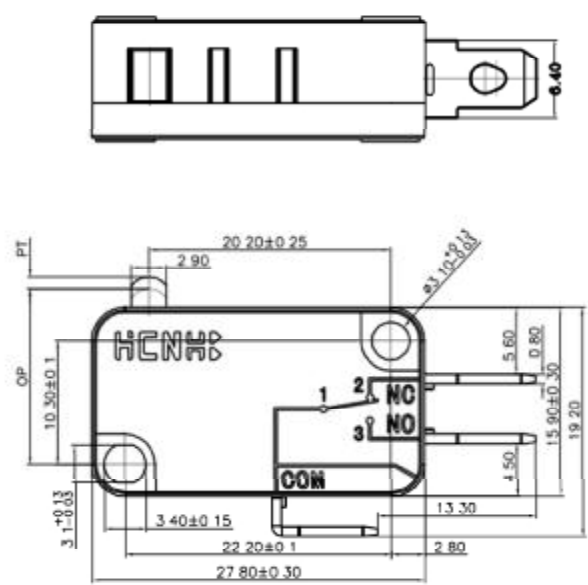
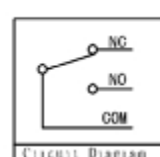
MICRO SWITCH SERIES



Specification :

- Current Rating AC 125/250V 16A
- Contact Resistance 100mΩ Max
- Insulation Resistance 100MΩ Min(DC250V)
- Withstand Voltage AC1000V(50-60Hz) for 1 minute
- Operation Force 200±50gf 300±50gf
- Mechanical Life 100 0000 Cycles
- Load life 20 000 Cycles

Diagram

Model	Dimensions																													
 <p>M4XH0301020811</p>	 <table border="1" data-bbox="1101 582 1292 739"> <caption>規格書表</caption> <tr><th>項目</th><th>標準規格</th><th>単位</th></tr> <tr><td>①</td><td>動作力(N)</td><td>200~300</td></tr> <tr><td>②</td><td>動作電圧(V)</td><td>25.1</td></tr> <tr><td>③</td><td>動作電流(A)</td><td>11.70~0.30</td></tr> <tr><td>④</td><td>動作電圧(V)</td><td>0.30</td></tr> <tr><td>⑤</td><td>動作電流(A)</td><td>1.25</td></tr> <tr><td>⑥</td><td>動作電流(A)</td><td>1.25</td></tr> </table>  <table border="1" data-bbox="1308 784 1468 985"> <caption>端子規格</caption> <tr><th>端子番号</th><th>規格</th></tr> <tr><td>①</td><td>φ 0.4 x 7 1xL</td></tr> <tr><td>②</td><td>φ 0.4 x 7 1xL</td></tr> <tr><td>③</td><td>φ 0.8 x 3 1xL</td></tr> </table>	項目	標準規格	単位	①	動作力(N)	200~300	②	動作電圧(V)	25.1	③	動作電流(A)	11.70~0.30	④	動作電圧(V)	0.30	⑤	動作電流(A)	1.25	⑥	動作電流(A)	1.25	端子番号	規格	①	φ 0.4 x 7 1xL	②	φ 0.4 x 7 1xL	③	φ 0.8 x 3 1xL
項目	標準規格	単位																												
①	動作力(N)	200~300																												
②	動作電圧(V)	25.1																												
③	動作電流(A)	11.70~0.30																												
④	動作電圧(V)	0.30																												
⑤	動作電流(A)	1.25																												
⑥	動作電流(A)	1.25																												
端子番号	規格																													
①	φ 0.4 x 7 1xL																													
②	φ 0.4 x 7 1xL																													
③	φ 0.8 x 3 1xL																													
 <p>M4XH0301030811</p>	 <table border="1" data-bbox="1101 1344 1292 1500"> <caption>規格書表</caption> <tr><th>項目</th><th>標準規格</th><th>単位</th></tr> <tr><td>①</td><td>動作力(N)</td><td>200~300</td></tr> <tr><td>②</td><td>動作電圧(V)</td><td>25.1</td></tr> <tr><td>③</td><td>動作電流(A)</td><td>11.70~0.30</td></tr> <tr><td>④</td><td>動作電圧(V)</td><td>0.30</td></tr> <tr><td>⑤</td><td>動作電流(A)</td><td>1.25</td></tr> <tr><td>⑥</td><td>動作電流(A)</td><td>1.25</td></tr> </table>  <table border="1" data-bbox="1308 1545 1468 1747"> <caption>端子規格</caption> <tr><th>端子番号</th><th>規格</th></tr> <tr><td>①</td><td>φ 0.4 x 7 1xL</td></tr> <tr><td>②</td><td>φ 0.4 x 7 1xL</td></tr> <tr><td>③</td><td>φ 0.8 x 3 1xL</td></tr> </table>	項目	標準規格	単位	①	動作力(N)	200~300	②	動作電圧(V)	25.1	③	動作電流(A)	11.70~0.30	④	動作電圧(V)	0.30	⑤	動作電流(A)	1.25	⑥	動作電流(A)	1.25	端子番号	規格	①	φ 0.4 x 7 1xL	②	φ 0.4 x 7 1xL	③	φ 0.8 x 3 1xL
項目	標準規格	単位																												
①	動作力(N)	200~300																												
②	動作電圧(V)	25.1																												
③	動作電流(A)	11.70~0.30																												
④	動作電圧(V)	0.30																												
⑤	動作電流(A)	1.25																												
⑥	動作電流(A)	1.25																												
端子番号	規格																													
①	φ 0.4 x 7 1xL																													
②	φ 0.4 x 7 1xL																													
③	φ 0.8 x 3 1xL																													