

MICRO SWITCH LAMP SWITCHES



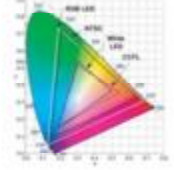
Specification :

- Current Rating DC12V 50mA
- Contact Resistance 100mΩ Max
- Insulation Resistance 100MΩ Min(DC250V)
- Withstand Voltage AC250V (50-60Hz) for 1 minute
- Operation Force 200±100gf
- Mechanical Life 10 000 Cycles


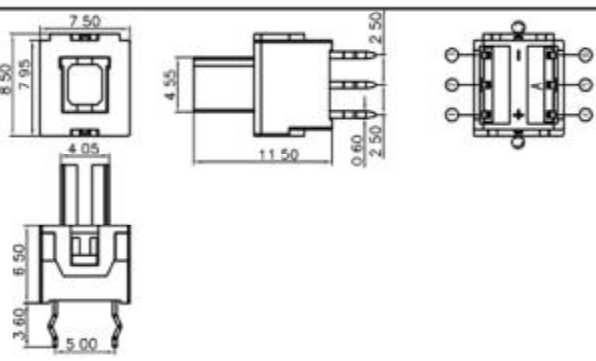
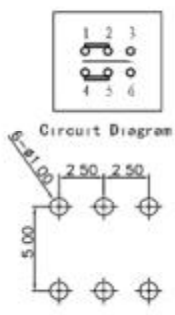

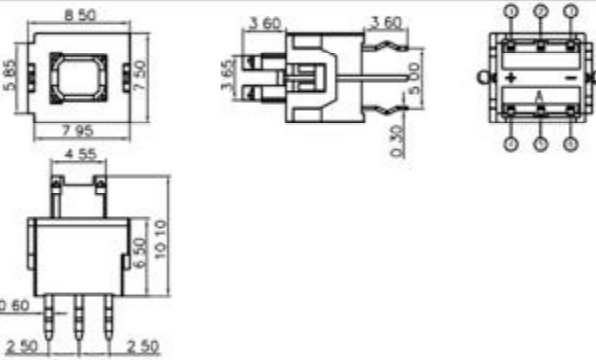
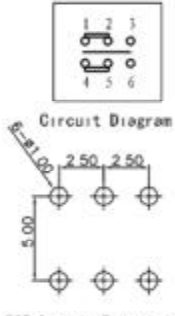
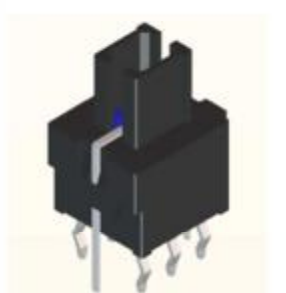
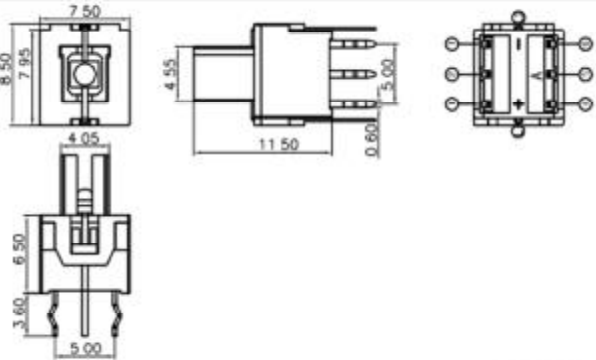
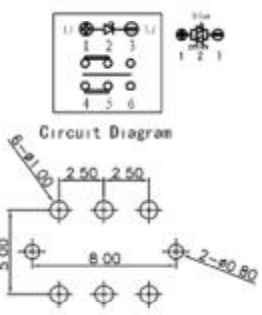
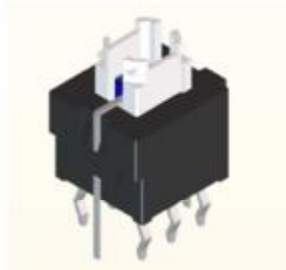
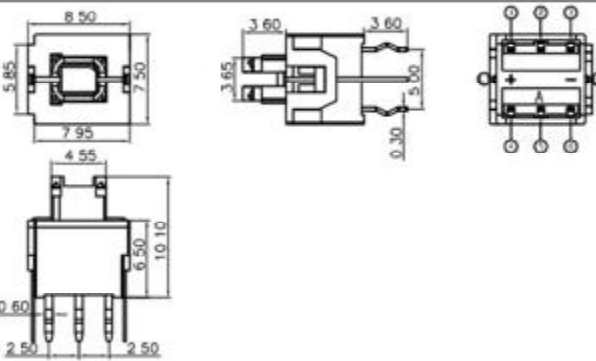
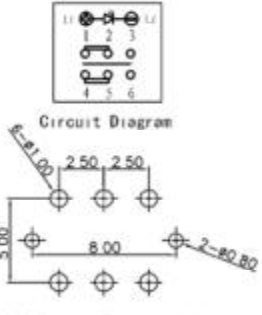
Pay attention to the use of LED lighting switch
 ①The polarity of LED is marked with the "+" mark on the bottom of the switch as the positive pole, marked with "-" mark as the negative pole.
 ②Please connect the current limiting resistor on the LED lighting loop. Because the switch has no internal limiting current resistance, it is full Foot LED characteristic, please notch the voltage condition, connect the current limiting resistor according to the following formula.

$$\text{限流电阻 (R)} = \frac{\text{使用电压 (E)} - \text{LED正向工作电压 (VF)}}{\text{LED正向电流 (IF)}}$$

| Lighting Color | Material | V (V) | | I (mA) | | I (mA) | | Viewing angle at 95% Ia |
|----------------|----------|-------|-----|----------------------------|----------------|----------------|----------------|-------------------------|
| | | Typ | Max | I _a | I _f | I ₁ | I ₂ | |
| Red | AlGaInP | 2.0 | 2.5 | 620 | 640 | 18 | 90 | 90 |
| Orange | AlGaInP | 2.0 | 2.5 | 620 | 650 | 20 | 80 | 120 |
| Yellow | AlGaInP | 2.0 | 2.5 | 580 | 590 | 17 | 80 | 130 |
| Green | InGaIn | 2.0 | 2.5 | 570 | 570 | 20 | 23 | 45 |
| Blue | InGaIn | 3.0 | 3.0 | 520 | 520 | 35 | 200 | 200 |
| White | InGaIn | 3.1 | 3.0 | 460 | 460 | 25 | 20 | 90 |
| | InGaIn | 3.1 | 3.7 | R=0.25-0.31 V=0.34-0.33 | | 120 | 200 | 130 |



Diagram

| Model | Dimensions | Circuit Diagram |
|--|--|---|
|  T3085D10042200E |  |  PCB Layout Recommended |
|  T3085D10011150 |  |  PCB Layout Recommended |
|  T3085D10042151E |  |  PCB Layout Recommended |
|  T3085D10011201 |  |  PCB Layout Recommended |

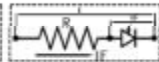
MICRO SWITCH LAMP SWITCHES



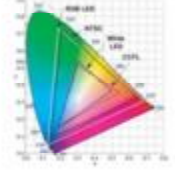
Specification :

- Current Rating DC12V 50mA
- Contact Resistance 100mΩ Max
- Insulation Resistance 100MΩ Min(DC250V)
- Withstand Voltage AC250V (50-60Hz) for 1 minute
- Operation Force 200±100gf
- Mechanical Life 10 000 Cycles


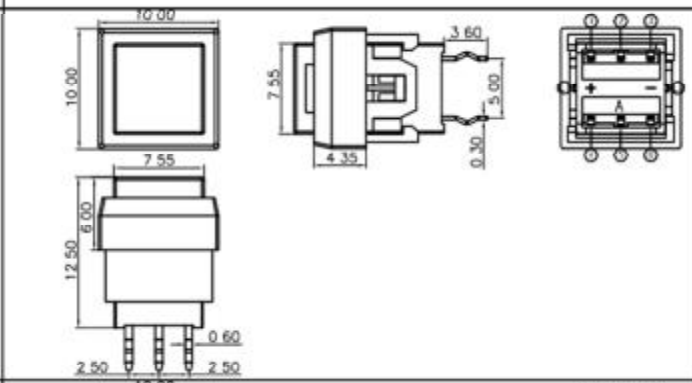
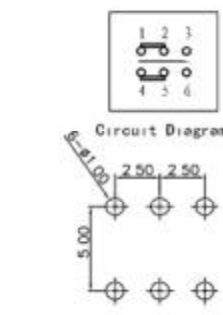
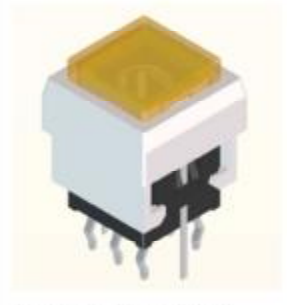
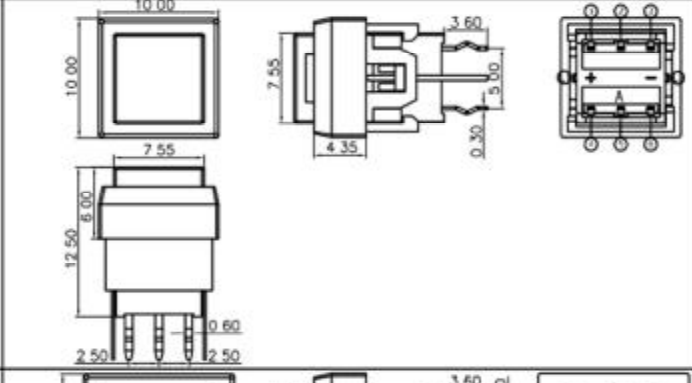
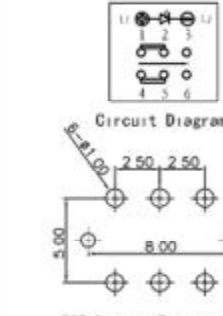

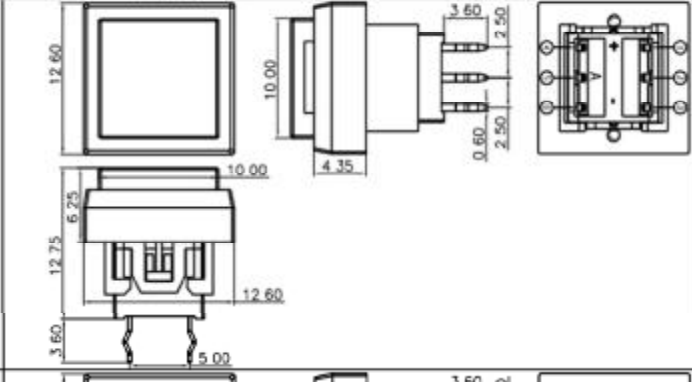
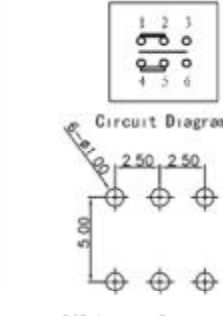
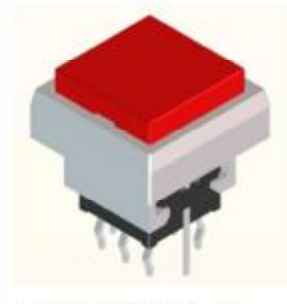
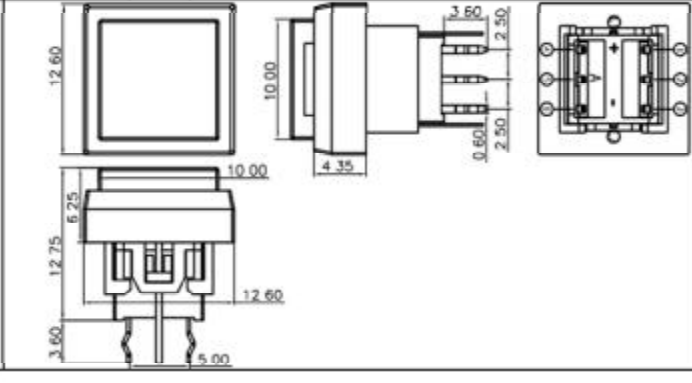
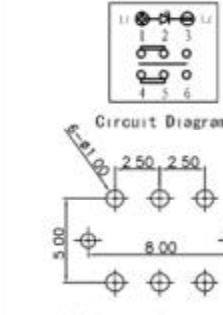
Pay attention to the use of LED lighting switch
 ①The polarity of LED is marked with the "+" mark on the bottom of the switch as the positive pole, marked with "-" mark as the negative pole.
 ②Please connect the current limiting resistor on the LED lighting loop. Because the switch has no internal limiting current resistance, it is full Foot LED characteristic, please match the voltage condition, connect the current limiting resistor according to the following formula.

$$\text{限流电阻 (R)} = \frac{\text{使用电压 (E)} - \text{LED正向工作电压 (VF)}}{\text{LED正向电流 (IF)}} \quad \text{O}$$


| Lighting Color | Material | V (V) | | I (mA) | | I (mA) | Viewing angle at 90° I _v |
|----------------|----------|-------|-----|----------------------------|----------------|--------|-------------------------------------|
| | | Typ | Max | I _a | I _f | | |
| Red | AlGaInP | 2.0 | 2.5 | 620 | 640 | 18 | 90 |
| Orange | AlGaInP | 2.0 | 2.5 | 620 | 650 | 20 | 90 |
| Yellow | AlGaInP | 2.0 | 2.5 | 580 | 590 | 17 | 90 |
| Green | InGaInP | 2.0 | 2.0 | 570 | 570 | 20 | 25 |
| Blue | InGaInP | 3.1 | 3.0 | 400 | 400 | 25 | 20 |
| White | InGaInP | 3.1 | 3.7 | R=0.25-0.31 V=0.34-0.35 | | 120 | 200 |



Diagram

| Model | Dimensions | Circuit Diagram |
|--|--|---|
|  T3010D10011200F |  |  PCB Layout Recommended |
|  T3010D10011151 |  |  PCB Layout Recommended |
|  T3126D10011200F |  |  PCB Layout Recommended |
|  T3126D10011201F |  |  PCB Layout Recommended |

MICRO SWITCH LAMP SWITCHES

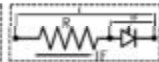


Specification :

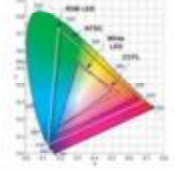
- Current Rating DC12V 50mA
- Contact Resistance 100mΩ Max
- Insulation Resistance 100MΩ Min(DC250V)
- Withstand Voltage AC250V (50-60Hz) for 1 minute
- Operation Force 200±100gf
- Mechanical Life 10 000 Cycles

Pay attention to the use of LED lighting switch
 ①The polarity of LED is marked with the "+" mark on the bottom of the switch as the positive pole, marked with "-" mark as the negative pole.
 ②Please connect the current limiting resistor on the LED lighting loop. Because the switch has no internal limiting current resistance, it is full Foot LED characteristic, please notch the voltage condition, connect the current limiting resistor according to the following formula.


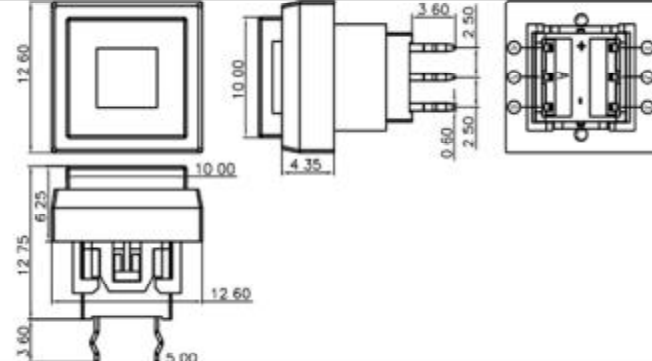
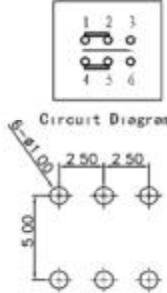
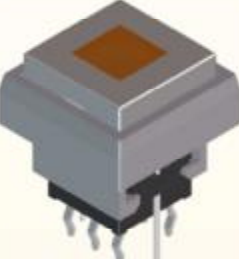
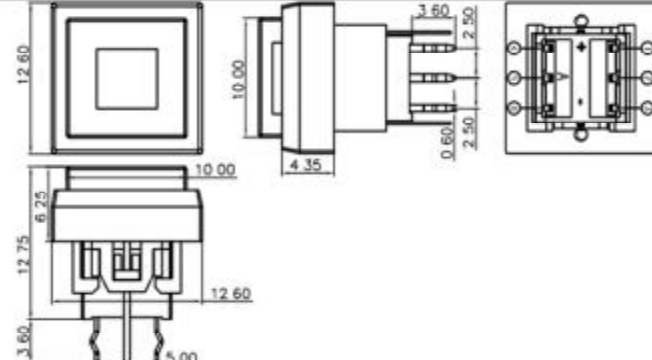
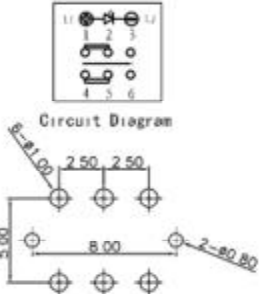

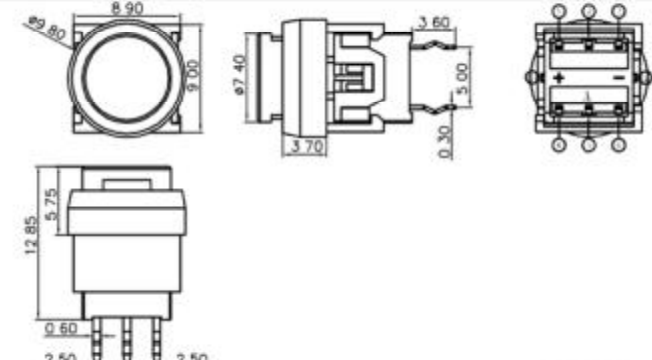
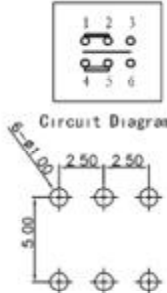

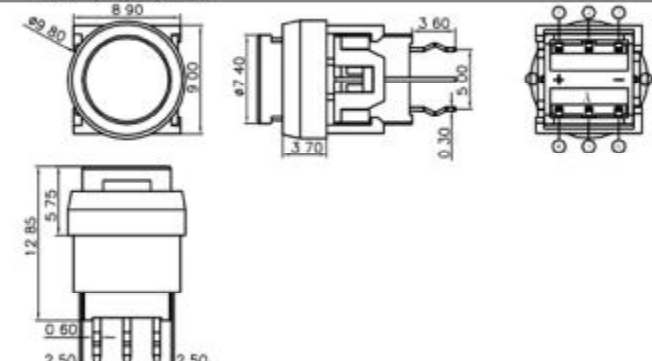
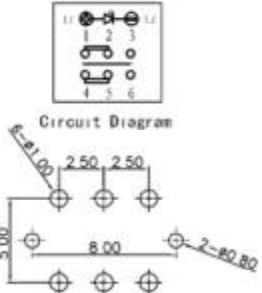
$$\text{限流电阻 (R)} = \frac{\text{使用电压 (E)} - \text{LED正向工作电压 (VF)}}{\text{LED正向电流 (IF)}}$$



| Lighting Color | Material | W (W) | | L (mm) | | L (mm) | | Viewing angle at 95% Ia |
|----------------|----------|-------|-----|----------------------------|-----|--------|-----|-------------------------|
| | | Typ | Max | L1 | L2 | Min | Typ | |
| Red | AlGaInP | 2.0 | 2.5 | 630 | 640 | 18 | 90 | 90 |
| Orange | AlGaInP | 2.0 | 2.5 | 630 | 650 | 20 | 90 | 120 |
| Yellow | AlGaInP | 2.0 | 2.5 | 580 | 590 | 17 | 90 | 130 |
| Green | InGaIn | 2.0 | 2.0 | 570 | 570 | 20 | 23 | 45 |
| Blue | InGaIn | 3.0 | 3.0 | 620 | 620 | 35 | 200 | 200 |
| White | InGaIn | 3.0 | 3.0 | 460 | 460 | 25 | 20 | 90 |
| | InGaIn | 3.0 | 3.7 | R=0.25-0.31 T=0.34-0.35 | | 120 | 200 | 130 |



Diagram

| Model | Dimensions | Circuit Diagram |
|---|--|--|
|  T3126D10011200FF |  |  Circuit Diagram PCB Layout Recommended |
|  T3126D10011201FF |  |  Circuit Diagram PCB Layout Recommended |
|  T3089D10011200Y |  |  Circuit Diagram PCB Layout Recommended |
|  T3089D10011156Y |  |  Circuit Diagram PCB Layout Recommended |

MICRO SWITCH LAMP SWITCHES



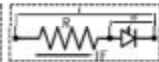
Specification :

- Current Rating DC12V 50mA
- Contact Resistance 100mΩ Max
- Insulation Resistance 100MΩ Min(DC250V)
- Withstand Voltage AC250V(50-60Hz) for 1 minute
- Operation Force 200±100gf
- Mechanical Life 10 000 Cycles

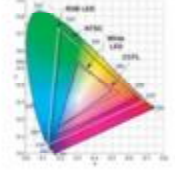
Pay attention to the use of LED lighting switch

①The polarity of LED is marked with the "+" mark on the bottom of the switch as the positive pole, marked with "-" mark as the negative pole.
 ②Please connect the current limiting resistor on the LED lighting loop. Because the switch has no internal limiting current resistance, it is full Foot LED characteristic, please notch the voltage condition, connect the current limiting resistor according to the following formula


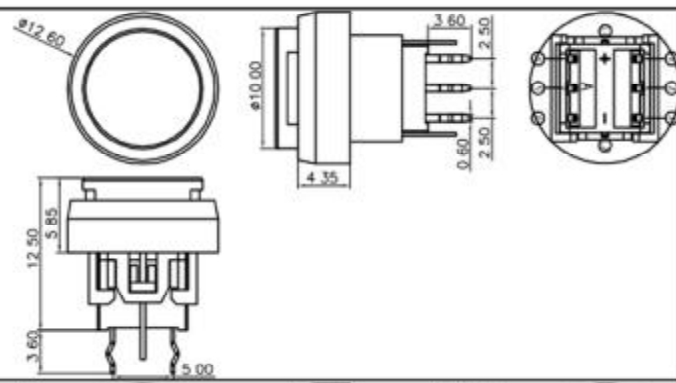
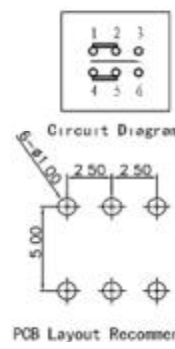

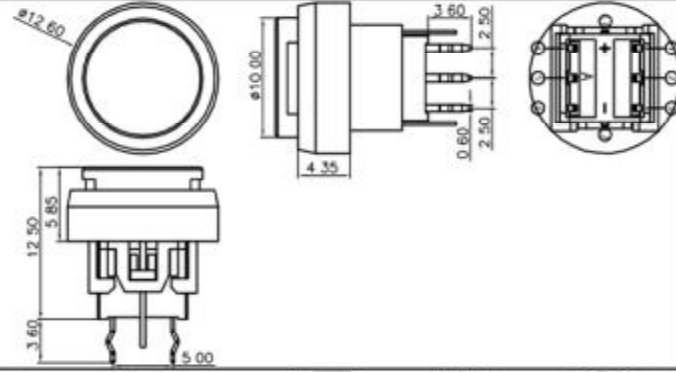
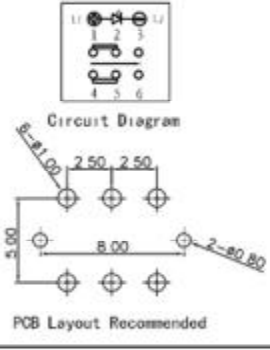

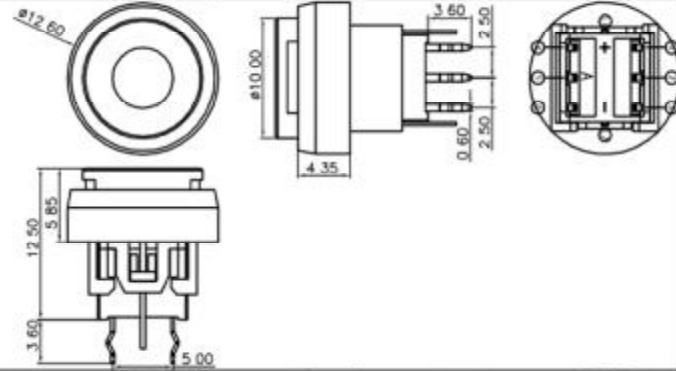
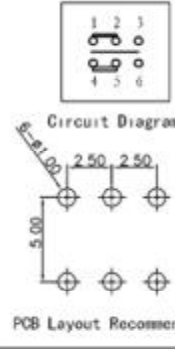

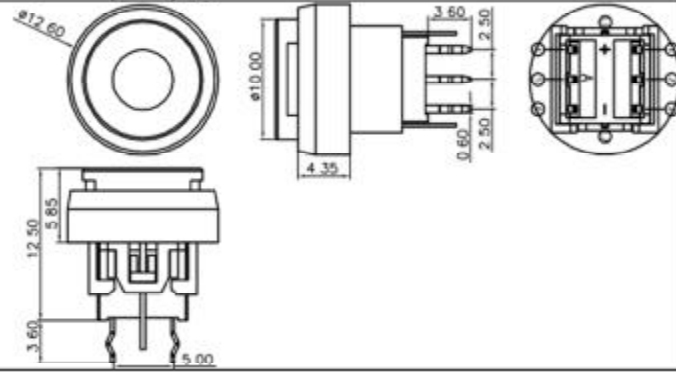
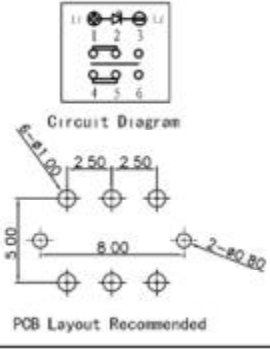
$$\text{限流电阻 (R)} = \frac{\text{使用电压 (E)} - \text{LED正向工作电压 (VF)}}{\text{LED正向电流 (IF)}}$$



| Lighting Color | Material | V (V) | | L (mm) | | L (mm) | | Viewing angle at 95% Ia |
|----------------|----------|-------|-----|----------------------------|-----|--------|-----|-------------------------|
| | | Typ | Max | L1 | L2 | Min | Typ | |
| Red | AlGaInP | 2.0 | 2.5 | 630 | 640 | 18 | 50 | 95 |
| Orange | AlGaInP | 2.0 | 2.5 | 630 | 650 | 20 | 60 | 120 |
| Yellow | AlGaInP | 2.0 | 2.5 | 580 | 590 | 17 | 60 | 130 |
| Green | AlGaInP | 2.0 | 2.5 | 570 | 570 | 20 | 23 | 45 |
| Blue | InGaN | 3.2 | 3.6 | 520 | 520 | 35 | 200 | 200 |
| White | InGaN | 3.1 | 3.6 | 460 | 460 | 25 | 20 | 90 |
| | InGaN | 3.1 | 3.7 | R=0.25-0.31 T=0.34-0.35 | | 120 | 200 | 130 |



Diagram

| Model | Dimensions | Circuit Diagram |
|--|--|---|
|  T3126D10021200Y |  |  |
|  T3126D10013151Y |  |  |
|  T3126D100331500YY |  |  |
|  T3126D10023154YY |  |  |

MICRO SWITCH LAMP SWITCHES



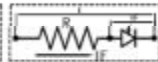
Specification :

- Current Rating DC12V 50mA
- Contact Resistance 100mΩ Max
- Insulation Resistance 100MΩ Min(DC250V)
- Withstand Voltage AC250V (50-60Hz) for 1 minute
- Operation Force 160±50gf, 180±50gf, 250±50gf
- Mechanical Life 10 0000 Cycles

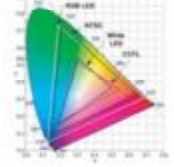
Pay attention to the use of LED lighting switch

①The polarity of LED is marked with "+" mark on the bottom of the switch as the positive pole, marked with "-" mark as the negative pole.
②Please connect the current limiting resistor on the LED lighting loop. Because the switch has no internal limiting current resistance, it is full Foot LED characteristic, please match the voltage condition, connect the current limiting resistor according to the following formula.


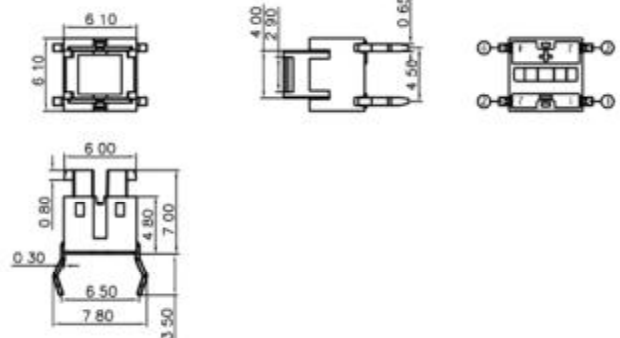
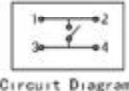
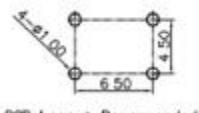
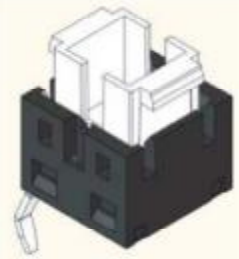
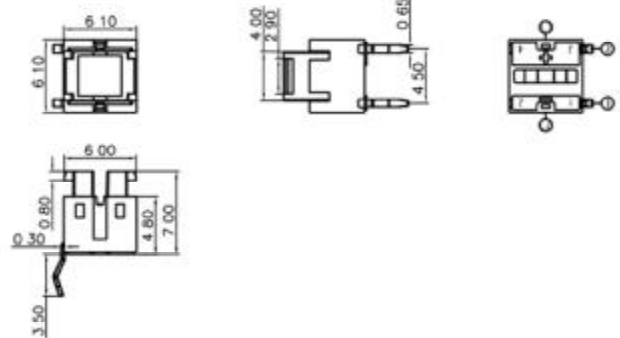
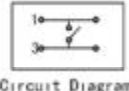

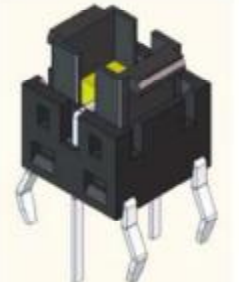
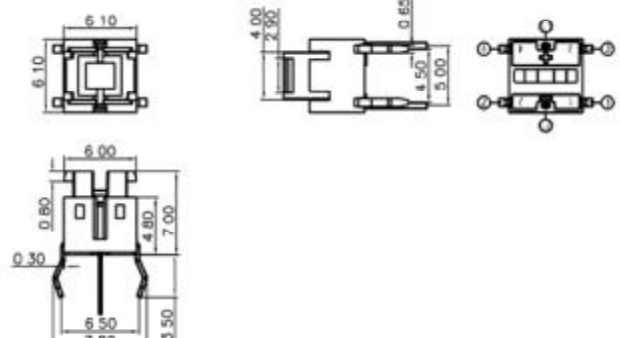
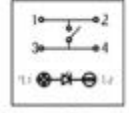
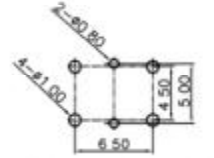

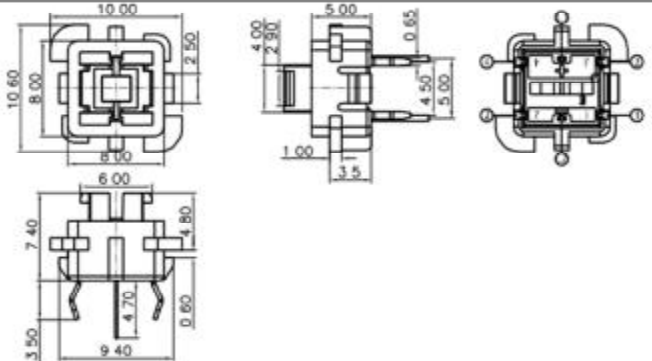
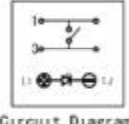
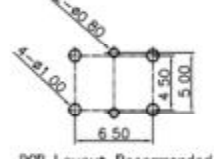
$$\text{限流电阻 (R)} = \frac{\text{使用电压 (E)} - \text{LED正向工作电压 (VF)}}{\text{LED正向电流 (IF)}}$$



| Lighting Color | Material | V (V) | | L (mm) | | L (mm) | | Viewing angle at 90° |
|----------------|----------|-------|-----|----------------------------|-----|--------|-----|----------------------|
| | | Typ | Max | L1 | L2 | Min | Typ | |
| Red | AlGaInP | 2.0 | 2.5 | 630 | 640 | 18 | 90 | 90 |
| Orange | AlGaInP | 2.0 | 2.5 | 630 | 650 | 20 | 90 | 120 |
| Yellow | AlGaInP | 2.0 | 2.5 | 580 | 590 | 17 | 90 | 130 |
| Green | AlGaInP | 2.0 | 2.5 | 570 | 570 | 20 | 23 | 45 |
| Blue | InGaN | 3.2 | 3.6 | 520 | 520 | 35 | 200 | 200 |
| White | InGaN | 3.1 | 3.6 | 460 | 460 | 25 | 20 | 90 |
| | InGaN | 3.1 | 3.7 | R=0.25~0.31 T=0.34~0.35 | | 120 | 200 | 130 |



Diagram

| Model | Dimensions | Circuit Diagram |
|---|--|---|
|  T3061D0101220 |  |  Circuit Diagram  PCB Layout Recommended |
|  T3061D0101160-13 |  |  Circuit Diagram  PCB Layout Recommended |
|  T3061D01012210 |  |  Circuit Diagram  PCB Layout Recommended |
|  T30100D01011617 |  |  Circuit Diagram  PCB Layout Recommended |

MICRO SWITCH LAMP SWITCHES



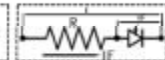
Specification :

- Current Rating DC12V 50mA
- Contact Resistance 100mΩ Max
- Insulation Resistance 100MΩ Min(DC250V)
- Withstand Voltage AC250V (50-60Hz) for 1 minute
- Operation Force 150±50gf, 180±50gf, 250±50gf
- Mechanical Life 10 0000 Cycles

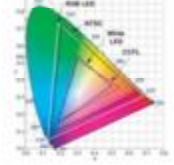
Pay attention to the use of LED lighting switch

- ①The polarity of LED is marked with "+" mark on the bottom of the switch as the positive pole, marked with "-" mark as the negative pole.
- ②Please connect the current limiting resistor on the LED lighting loop. Because the switch has no internal limiting current resistance, it is full Foot LED characteristic, please match the voltage condition, connect the current limiting resistor according to the following formula.

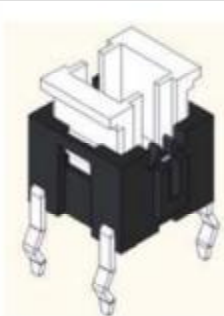
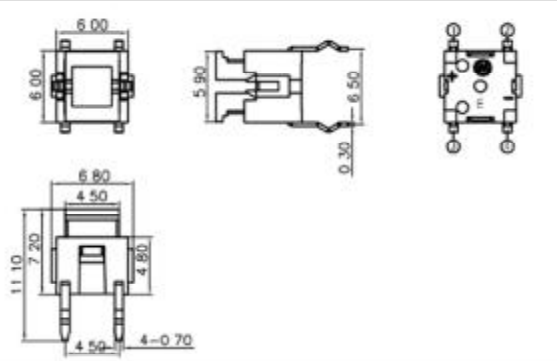
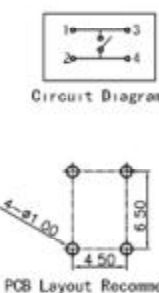
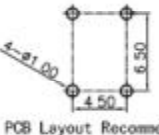
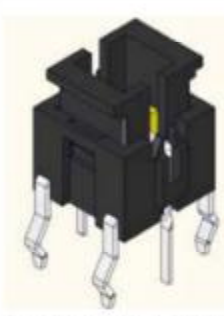
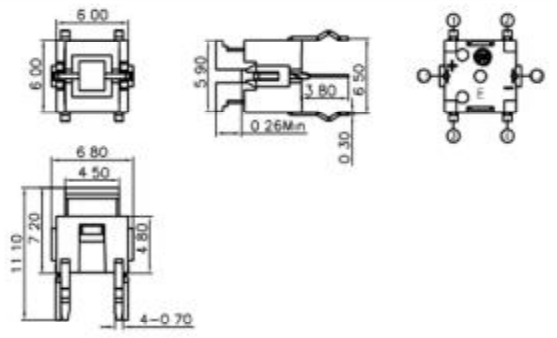
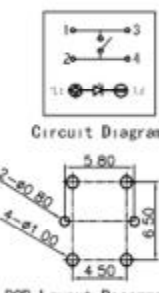
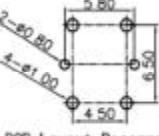

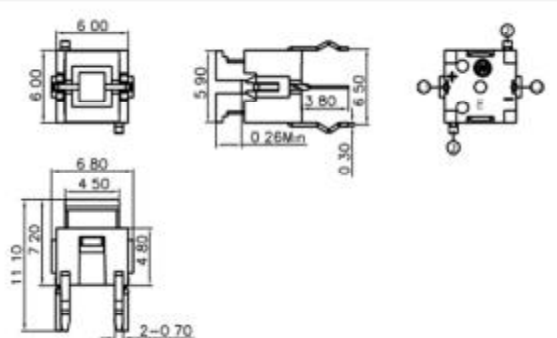
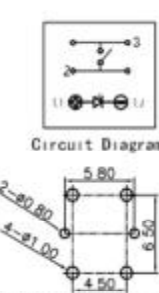

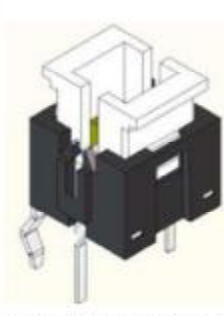
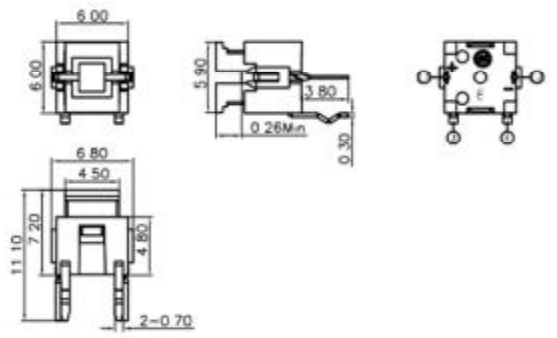
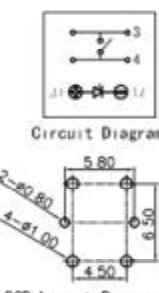
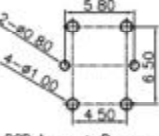
$$\text{限流电阻 (R)} = \frac{\text{使用电压 (E)} - \text{LED正向工作电压 (VF)}}{\text{LED正向电流 (IF)}}$$



| Lighting Color | Material | V (V) | | L (mm) | | L (mm) | | Viewing angle at 95% I _v |
|----------------|----------|-------|-----|----------------------------|----------------|----------------|----------------|-------------------------------------|
| | | Typ | Max | L ₁ | L ₂ | L ₁ | L ₂ | |
| Red | AlGaInP | 2.0 | 2.5 | 630 | 640 | 18 | 50 | 95 |
| Orange | AlGaInP | 2.0 | 2.5 | 630 | 650 | 20 | 60 | 120 |
| Yellow | AlGaInP | 2.0 | 2.5 | 580 | 590 | 17 | 60 | 130 |
| Green | InGaIn | 2.0 | 2.5 | 570 | 570 | 20 | 23 | 45 |
| Blue | InGaIn | 3.0 | 3.0 | 520 | 520 | 35 | 200 | 200 |
| White | InGaIn | 3.1 | 3.7 | R=0.25-0.31 Y=0.34-0.35 | | 120 | 200 | 130 |



Diagram

| Model | Dimensions | Circuit Diagram |
|--|--|---|
|  T3068D0101150 |  |  Circuit Diagram  PCB Layout Recommended |
|  T3068D01012520A |  |  Circuit Diagram  PCB Layout Recommended |
|  T3068D01012520-23 |  |  Circuit Diagram  PCB Layout Recommended |
|  T3068D01012515-34 |  |  Circuit Diagram  PCB Layout Recommended |

MICRO SWITCH LAMP SWITCHES



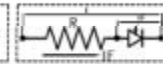
Specification :

- Current Rating DC12V 50mA
- Contact Resistance 100mΩ Max
- Insulation Resistance 100MΩ Min(DC250V)
- Withstand Voltage AC250V (50-60Hz) for 1 minute
- Operation Force 150±50gf, 180±50gf, 250±50gf
- Mechanical Life 10 0000 Cycles

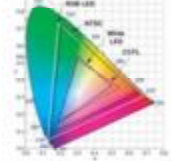
Pay attention to the use of LED lighting switch

- ①The polarity of LED is marked with the "+" mark on the bottom of the switch as the positive pole, marked with "-" mark as the negative pole.
- ②Please connect the current limiting resistor on the LED lighting loop. Because the switch has no internal limiting current resistance, it is full Foot LED characteristic, please match the voltage condition, connect the current limiting resistor according to the following formula.

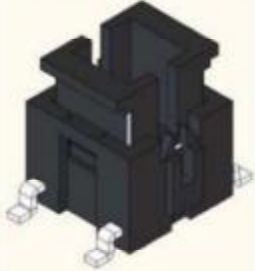
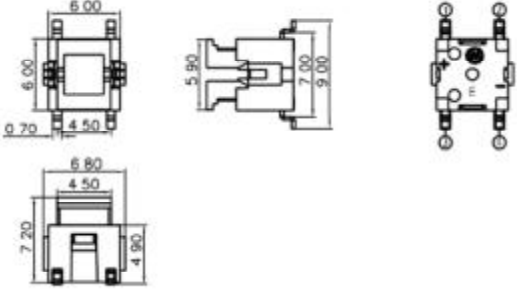
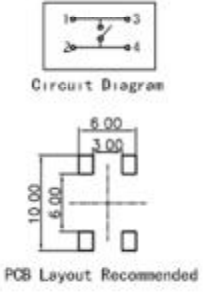
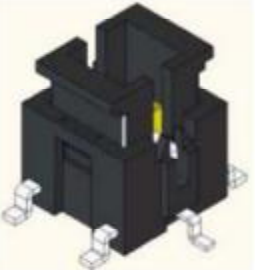
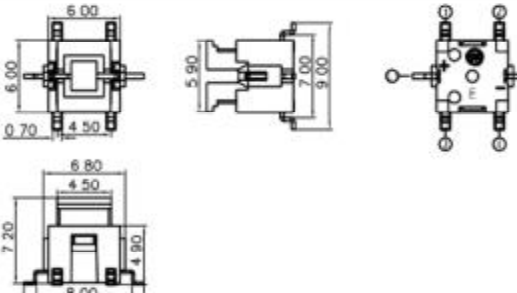
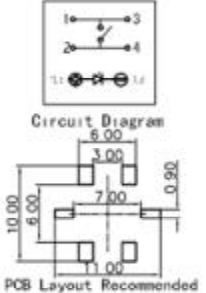

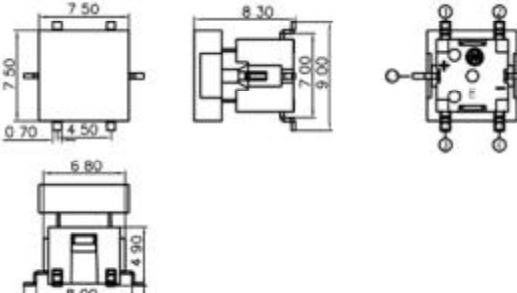
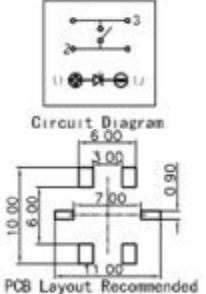

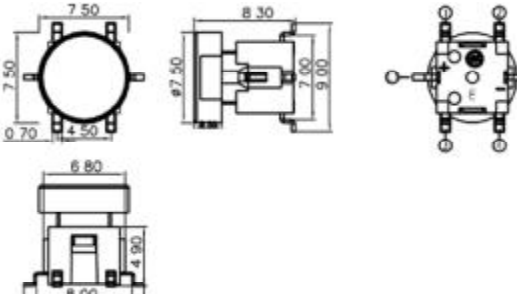
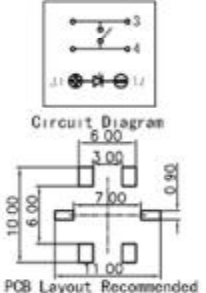
$$\text{限流电阻 (R)} = \frac{\text{使用电压 (E)} - \text{LED正向工作电压 (VF)}}{\text{LED正向电流 (IF)}}$$



| Lighting Color | Material | V (V) | | L (mm) | | L (mm) | | Viewing angle at 90° Lr |
|----------------|----------|-------|-----|----------------------------|-----|--------|-----|-------------------------|
| | | Typ | Max | L1 | L2 | L1 | Min | |
| Red | AlGaInP | 2.0 | 2.5 | 630 | 640 | 18 | 90 | 90 |
| Orange | AlGaInP | 2.0 | 2.5 | 630 | 650 | 20 | 90 | 120 |
| Yellow | AlGaInP | 2.0 | 2.5 | 580 | 590 | 17 | 90 | 130 |
| Green | AlGaInP | 2.0 | 2.5 | 570 | 570 | 20 | 23 | 45 |
| Blue | InGaN | 3.2 | 3.6 | 520 | 520 | 35 | 200 | 200 |
| White | InGaN | 3.1 | 3.6 | 460 | 460 | 25 | 20 | 90 |
| | InGaN | 3.1 | 3.7 | R=0.25-0.31 Y=0.34-0.35 | | 120 | 200 | 130 |



Diagram

| Model | Dimensions | Circuit Diagram |
|--|--|--|
|  T3068S0101250 |  |  Circuit Diagram PCB Layout Recommended |
|  T3068S0101258 |  |  Circuit Diagram PCB Layout Recommended |
|  T3075S0101258F |  |  Circuit Diagram PCB Layout Recommended |
|  T3075S0101258YC |  |  Circuit Diagram PCB Layout Recommended |

MICRO SWITCH LAMP SWITCHES



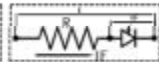
Specification :

- Current Rating DC12V 50mA
- Contact Resistance 100mΩ Max
- Insulation Resistance 100MΩ Min(DC250V)
- Withstand Voltage AC250V (50-60Hz) for 1 minute
- Operation Force 150±50gf, 180±50gf, 250±50gf
- Mechanical Life 10 0000 Cycles

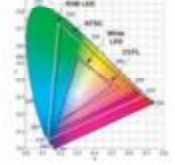
Pay attention to the use of LED lighting switch

①The polarity of LED is marked with the "+" mark on the bottom of the switch as the positive pole, marked with "-" mark as the negative pole.
 ②Please connect the current limiting resistor on the LED lighting loop. Because the switch has no internal limiting current resistance, it is full Foot LED characteristic, please match the voltage condition, connect the current limiting resistor according to the following formula.

$$\text{限流电阻 (R)} = \frac{\text{使用电压 (E)} - \text{LED正向工作电压 (VF)}}{\text{LED正向电流 (IF)}}$$



| Lighting Color | Material | V (V) | | L (mm) | | L (mm) | | Viewing angle at 95% Ia |
|----------------|----------|-------|-----|----------------------------|-----|--------|-----|-------------------------|
| | | Typ | Max | L1 | L2 | Min | Typ | |
| Red | AlGaInP | 2.0 | 2.5 | 630 | 640 | 18 | 90 | 95 |
| Orange | AlGaInP | 2.0 | 2.5 | 630 | 650 | 20 | 90 | 120 |
| Yellow | AlGaInP | 2.0 | 2.5 | 580 | 590 | 17 | 90 | 130 |
| Green | AlGaInP | 2.0 | 2.5 | 570 | 570 | 20 | 23 | 45 |
| Blue | InGaN | 3.0 | 3.6 | 520 | 520 | 35 | 200 | 200 |
| White | InGaN | 3.1 | 3.6 | 460 | 460 | 25 | 20 | 90 |
| | InGaN | 3.1 | 3.7 | R=0.25-0.31 T=0.34-0.35 | | 125 | 200 | 130 |



Diagram

| Model | Dimensions | Circuit Diagram |
|---------------------|------------|---|
| T3075D010115F | | Circuit Diagram PCB Layout Recommended |
| T3075D0101151FF | | Circuit Diagram PCB Layout Recommended |
| T3010D010115F | | Circuit Diagram PCB Layout Recommended |
| T3075D0101151FF | | Circuit Diagram PCB Layout Recommended |

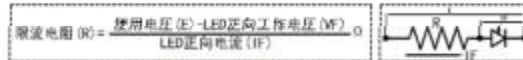
MICRO SWITCH LAMP SWITCHES



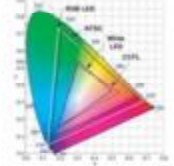
Specification :

- Current Rating DC12V 50mA
- Contact Resistance 100mΩ Max
- Insulation Resistance 100MΩ Min(DC250V)
- Withstand Voltage AC250V (50-60Hz) for 1 minute
- Operation Force 160±50gf, 180±50gf, 250±50gf
- Mechanical Life 10 0000 Cycles

Pay attention to the use of LED lighting switch
 ①The polarity of LED is marked with the "+" mark on the bottom of the switch as the positive pole, marked with "-" mark as the negative pole.
 ②Please connect the current limiting resistor on the LED lighting loop. Because the switch has no internal limiting current resistance, it is full Foot LED characteristic, please match the voltage condition, connect the current limiting resistor according to the following formula.



| Lighting Color | Material | V (V) | | L (mm) | | L (mm) | | Viewing angle at 95° Ic | |
|----------------|----------|-------|-----|----------------------------|-----|--------|-----|-------------------------|-----|
| | | Typ | Max | L1 | L2 | Min | Typ | | |
| Red | AlGaInP | 2.0 | 2.5 | 630 | 640 | 18 | 90 | 85 | 150 |
| Orange | AlGaInP | 2.0 | 2.5 | 630 | 650 | 20 | 80 | 120 | 150 |
| Yellow | AlGaInP | 2.0 | 2.5 | 580 | 590 | 17 | 80 | 130 | 150 |
| Green | InGaIn | 2.0 | 2.5 | 570 | 570 | 20 | 23 | 45 | 150 |
| Blue | InGaIn | 3.0 | 3.0 | 520 | 520 | 35 | 200 | 200 | 150 |
| White | InGaIn | 3.0 | 3.0 | 460 | 460 | 25 | 20 | 50 | 150 |
| | InGaIn | 3.1 | 3.7 | R=0.25-0.31 V=0.34-0.35 | | 120 | 200 | 150 | |



Diagram

| Model | Dimensions | Circuit Diagram |
|----------------------|------------|---|
| T3072D0101150 | | Circuit Diagram PCB Layout Recommended |
| T3072D0102155 | | Circuit Diagram PCB Layout Recommended |
| T3072D0101155-34 | | Circuit Diagram PCB Layout Recommended |
| T3072D0102150-12 | | Circuit Diagram PCB Layout Recommended |

MICRO SWITCH LAMP SWITCHES



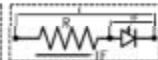
Specification :

- Current Rating DC12V 50mA
- Contact Resistance 100mΩ Max
- Insulation Resistance 100MΩ Min(DC250V)
- Withstand Voltage AC250V (50-60Hz) for 1 minute
- Operation Force 160±50gf, 180±50gf, 250±50gf
- Mechanical Life 10 0000 Cycles

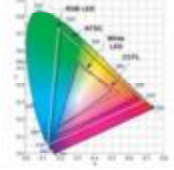
Pay attention to the use of LED lighting switch

- ①The polarity of LED is marked with the "+" mark on the bottom of the switch as the positive pole, marked with "-" mark as the negative pole.
- ②Please connect the current limiting resistor on the LED lighting loop. Because the switch has no internal limiting current resistance, it is full Foot LED characteristic, please match the voltage condition, connect the current limiting resistor according to the following formula.


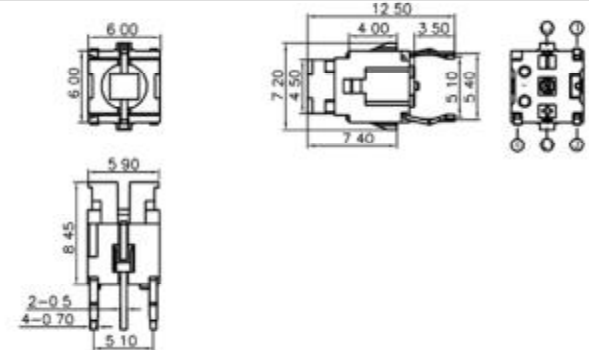
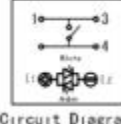
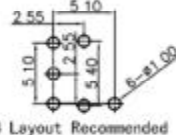
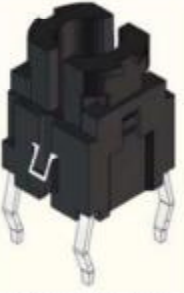
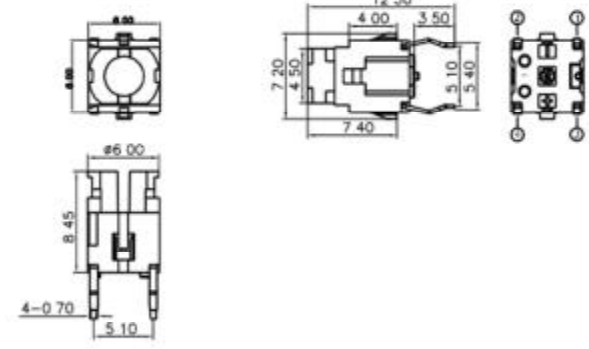
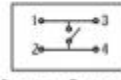
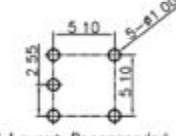

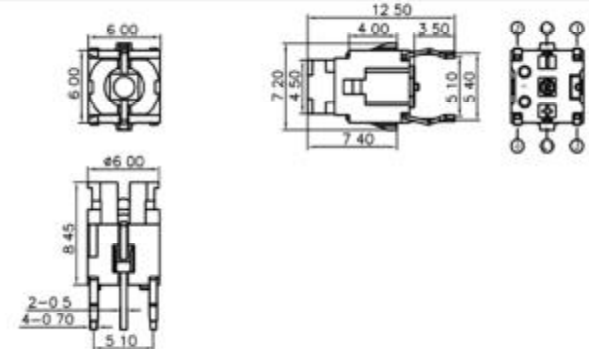
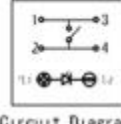
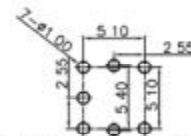

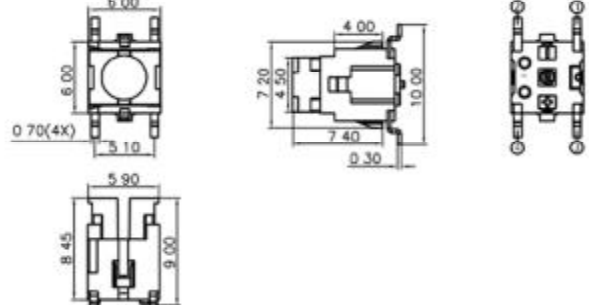
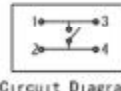
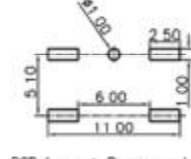
$$\text{限流电阻 (R)} = \frac{\text{使用电压 (E)} - \text{LED正向工作电压 (VF)}}{\text{LED正向电流 (IF)}}$$



| Lighting Color | Material | V (V) | | L (mm) | | L (mm) | | Viewing angle at 95% Ia | |
|----------------|----------|-------|-----|----------------------------|-----|--------|-----|-------------------------|-----|
| | | Typ | Max | L1 | L2 | L1 | L2 | | |
| Red | AlGaInP | 2.0 | 2.5 | 630 | 640 | 18 | 50 | 80 | 150 |
| Orange | AlGaInP | 2.0 | 2.5 | 630 | 650 | 20 | 60 | 120 | 150 |
| Yellow | AlGaInP | 2.0 | 2.5 | 580 | 590 | 17 | 60 | 130 | 150 |
| Green | InGaIn | 2.0 | 2.5 | 570 | 570 | 20 | 25 | 45 | 150 |
| Blue | InGaIn | 3.0 | 3.0 | 620 | 620 | 25 | 20 | 50 | 150 |
| White | InGaIn | 3.1 | 3.7 | R=0.25-0.31 T=0.34-0.35 | | 120 | 200 | 130 | 150 |



Diagram

| Model | Dimensions | Circuit Diagram |
|---|--|---|
|  T3072D01011610-134 |  |  Circuit Diagram  PCB Layout Recommended |
|  T3060D0101150 |  |  Circuit Diagram  PCB Layout Recommended |
|  T3060D0101151 |  |  Circuit Diagram  PCB Layout Recommended |
|  T3116S0102150 |  |  Circuit Diagram  PCB Layout Recommended |

MICRO SWITCH LAMP SWITCHES

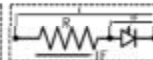


Specification :

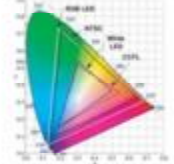
- Current Rating DC12V 50mA
- Contact Resistance 100mΩ Max
- Insulation Resistance 100MΩ Min(DC250V)
- Withstand Voltage AC250V (50-60Hz) for 1 minute
- Operation Force 160±50gf, 180±50gf, 250±50gf
- Mechanical Life 10 0000 Cycles

Pay attention to the use of LED lighting switch
 ①The polarity of LED is marked with the "+" mark on the bottom of the switch as the positive pole, marked with "-" mark as the negative pole.
 ②Please connect the current limiting resistor on the LED lighting loop. Because the switch has no internal limiting current resistance, it is full Foot LED characteristic, please match the voltage condition, connect the current limiting resistor according to the following formula.


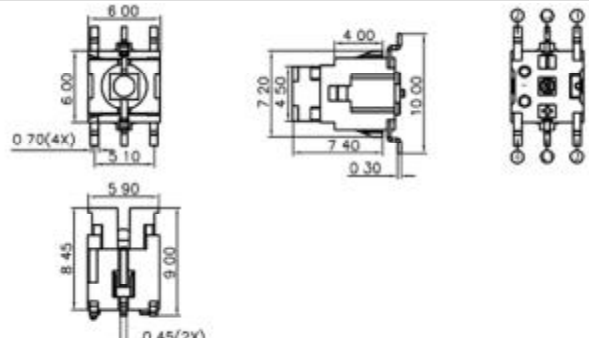
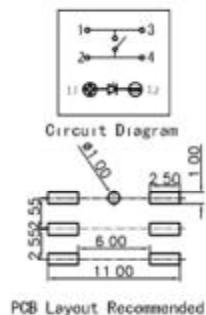
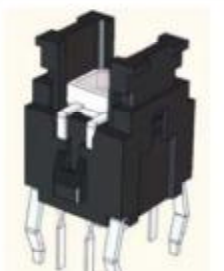
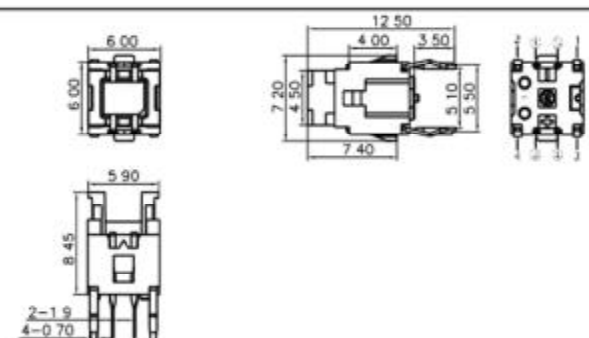
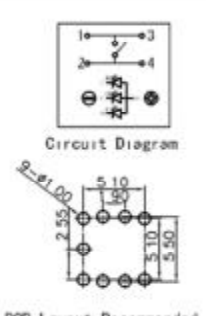
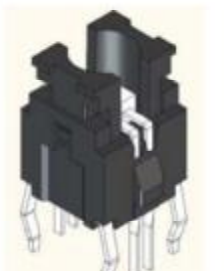
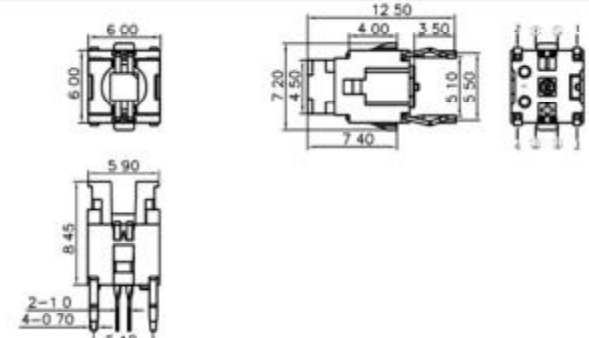
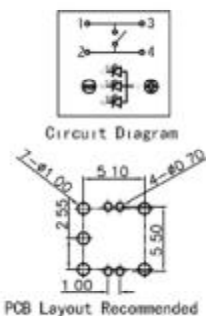

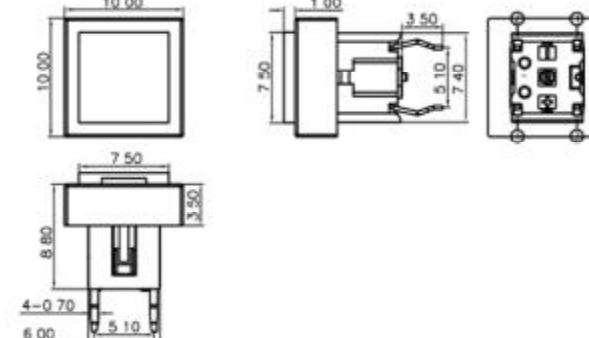
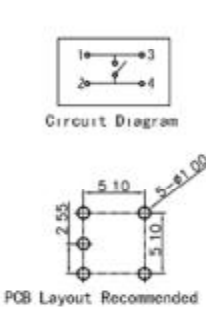
$$\text{限流电阻 (R)} = \frac{\text{使用电压 (E)} - \text{LED正向工作电压 (VF)}}{\text{LED正向电流 (IF)}} \quad \text{①}$$



| Lighting Color | Material | V (V) | | L (mm) | | L (mm) | | Viewing angle at 95% Ia |
|----------------|----------|-------|-----|----------------------------|-----|--------|-----|-------------------------|
| | | Typ | Max | L1 | L2 | Min | Typ | |
| Red | AlGaInP | 2.0 | 2.5 | 630 | 640 | 18 | 90 | 90 |
| Orange | AlGaInP | 2.0 | 2.5 | 630 | 650 | 20 | 80 | 120 |
| Yellow | AlGaInP | 2.0 | 2.5 | 580 | 590 | 17 | 80 | 130 |
| Green | AlGaInP | 2.0 | 2.5 | 570 | 570 | 20 | 23 | 45 |
| Blue | InGaN | 3.0 | 3.6 | 520 | 520 | 35 | 200 | 200 |
| White | InGaN | 3.0 | 3.6 | 460 | 460 | 25 | 20 | 90 |
| | InGaN | 3.1 | 3.7 | R=0.25-0.31 T=0.34-0.35 | | 120 | 200 | 130 |



Diagram

| Model | Dimensions | Circuit Diagram |
|---|--|--|
|  T3072A0101166 |  |  Circuit Diagram PCB Layout Recommended |
|  T3072D01021522 |  |  Circuit Diagram PCB Layout Recommended |
|  T3072D01021524 |  |  Circuit Diagram PCB Layout Recommended |
|  T3099D010115F |  |  Circuit Diagram PCB Layout Recommended |

MICRO SWITCH LAMP SWITCHES



Specification :

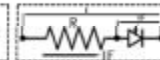
- Current Rating DC12V 50mA
- Contact Resistance 100mΩ Max
- Insulation Resistance 100MΩ Min(DC250V)
- Withstand Voltage AC250V (50-60Hz) for 1 minute
- Operation Force 160±50gf, 180±50gf, 250±50gf
- Mechanical Life 10 0000 Cycles

Pay attention to the use of LED lighting switch

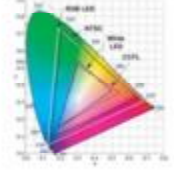
①The polarity of LED is marked with the "+" mark on the bottom of the switch as the positive pole, marked with "-" mark as the negative pole.

②Please connect the current limiting resistor on the LED lighting loop. Because the switch has no internal limiting current resistance, it is full Foot LED characteristic, please match the voltage condition, connect the current limiting resistor according to the following formula:

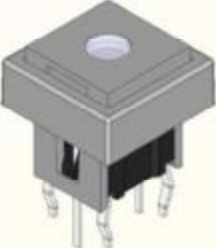
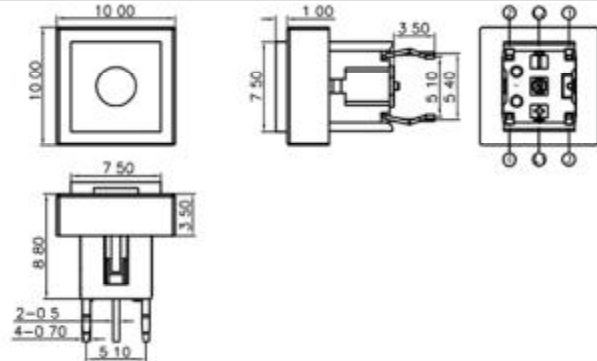
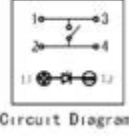
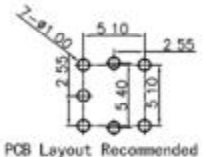
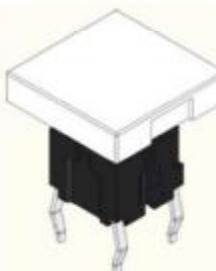
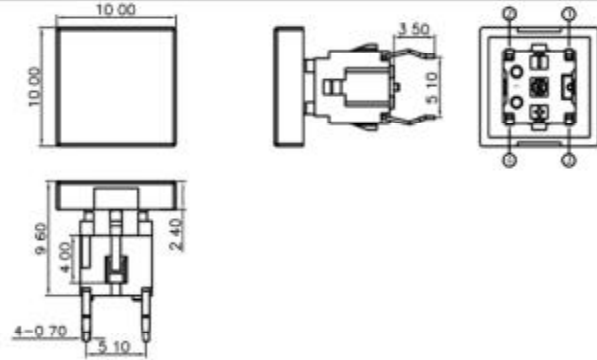
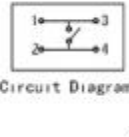
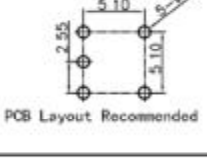

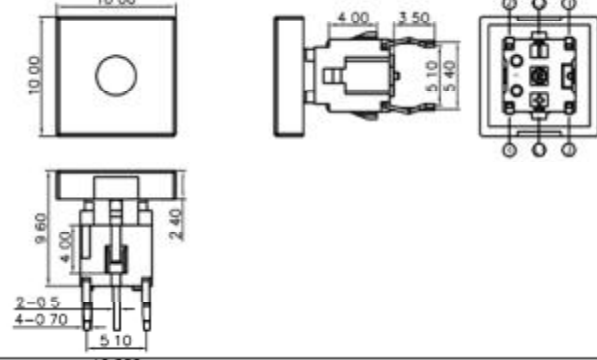
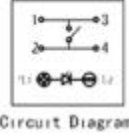
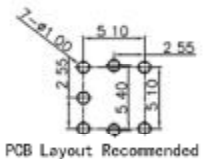

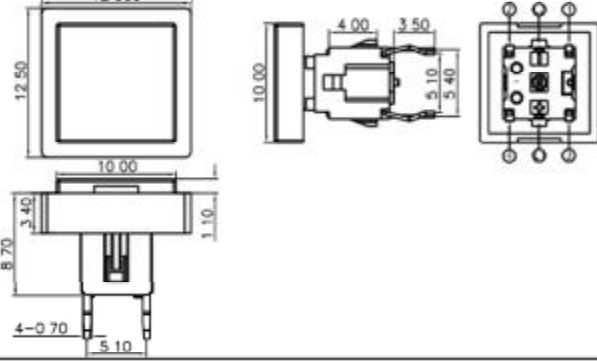
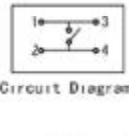
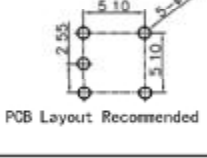
$$\text{限流电阻 (R)} = \frac{\text{使用电压 (E)} - \text{LED正向工作电压 (VF)}}{\text{LED正向电流 (IF)}}$$



| Lighting Color | Material | V (V) | | L (mm) | | L (mm) | | Viewing angle at 95% Ic | |
|----------------|----------|-------|-----|----------------------------|-----|--------|-----|-------------------------|-----|
| | | Typ | Max | L1 | L2 | L1 | L2 | | |
| Red | AlGaInP | 2.0 | 2.5 | 630 | 640 | 18 | 90 | 85 | 150 |
| Orange | AlGaInP | 2.0 | 2.5 | 620 | 630 | 20 | 80 | 120 | 130 |
| Yellow | AlGaInP | 2.0 | 2.5 | 580 | 590 | 17 | 80 | 130 | 150 |
| Green | InGaIn | 2.0 | 2.5 | 570 | 575 | 20 | 23 | 45 | 150 |
| Blue | InGaIn | 3.0 | 3.6 | 520 | 520 | 35 | 200 | 200 | 150 |
| White | InGaIn | 3.0 | 3.6 | 460 | 460 | 25 | 20 | 90 | 150 |
| | InGaIn | 3.1 | 3.7 | R=0.25-0.31 V=0.34-0.35 | | 125 | 200 | 150 | |



Diagram

| Model | Dimensions | Circuit Diagram |
|--|--|---|
|  T3099D0101153FY |  |  Circuit Diagram  PCB Layout Recommended |
|  T3010D0101150F |  |  Circuit Diagram  PCB Layout Recommended |
|  T3010D0101152FY |  |  Circuit Diagram  PCB Layout Recommended |
|  T3125D010115 |  |  Circuit Diagram  PCB Layout Recommended |

MICRO SWITCH LAMP SWITCHES



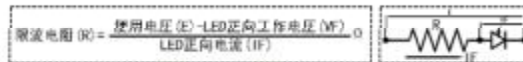
Specification :

- Current Rating DC12V 50mA
- Contact Resistance 100mΩ Max
- Insulation Resistance 100MΩ Min(DC250V)
- Withstand Voltage AC250V (50-60Hz) for 1 minute
- Operation Force 160±50gf, 180±50gf, 250±50gf
- Mechanical Life 10 0000 Cycles

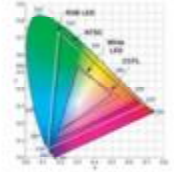
Pay attention to the use of LED lighting switch

①The polarity of LED is marked with the "+" mark on the bottom of the switch as the positive pole, marked with "-" mark as the negative pole.


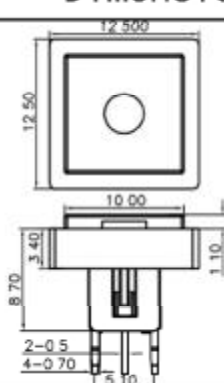
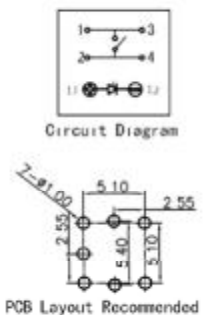

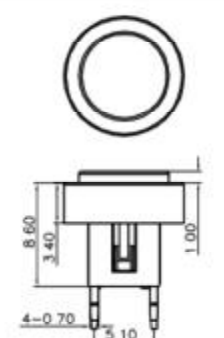
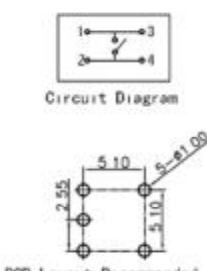

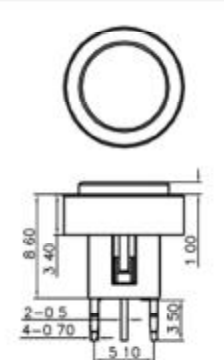
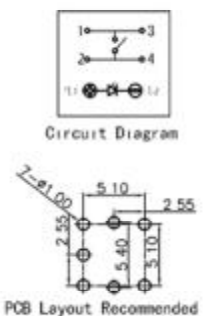

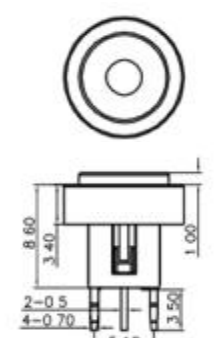
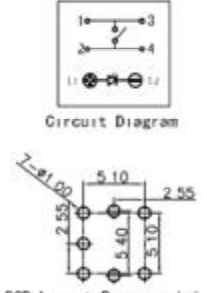
②Please connect the current limiting resistor on the LED lighting loop. Because the switch has no internal limiting current resistance, it is full Foot LED characteristic, please match the voltage condition, connect the current limiting resistor according to the following formula:



| Lighting Color | Material | V (V) | | L (mm) | | L (mm) | | Viewing angle at 90° | |
|----------------|----------|-------|-----|----------------------------|-----|--------|-----|----------------------|-----|
| | | Typ | Max | L1 | L2 | L1 | L2 | | |
| Red | AlGaInP | 2.0 | 2.5 | 630 | 640 | 18 | 90 | 85 | 150 |
| Orange | AlGaInP | 2.0 | 2.5 | 630 | 650 | 20 | 80 | 120 | 130 |
| Yellow | AlGaInP | 2.0 | 2.5 | 580 | 590 | 17 | 80 | 130 | 150 |
| Green | AlGaInP | 2.0 | 2.5 | 570 | 570 | 20 | 23 | 45 | 150 |
| Blue | InGaN | 3.0 | 3.6 | 620 | 620 | 35 | 200 | 200 | 150 |
| White | InGaN | 3.0 | 3.6 | 460 | 460 | 25 | 20 | 90 | 150 |
| | InGaN | 3.1 | 3.7 | R=0.25-0.31 T=0.34-0.35 | | 125 | 200 | 130 | |



Diagram

| Model | Dimensions | Circuit Diagram |
|--|---|---|
|  T3125D0101153 |  |  |
|  T3010D010115Y |  |  |
|  T3010D0102151Y |  |  |
|  T3010D0101153YY |  |  |

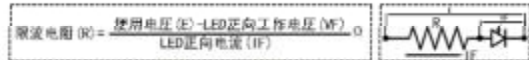
MICRO SWITCH LAMP SWITCHES



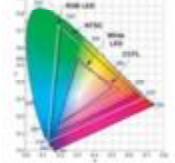
Specification :

- Current Rating DC12V 50mA
- Contact Resistance 100mΩ Max
- Insulation Resistance 100MΩ Min(DC250V)
- Withstand Voltage AC250V (50-60Hz) for 1 minute
- Operation Force 160±50gf, 180±50gf, 250±50gf
- Mechanical Life 10 0000 Cycles

Pay attention to the use of LED lighting switch
 ①The polarity of LED is marked with "+" mark on the bottom of the switch as the positive pole, marked with "-" mark as the negative pole.
 ②Please connect the current limiting resistor on the LED lighting loop. Because the switch has no internal limiting current resistance, it is full Foot LED characteristic, please match the voltage condition, connect the current limiting resistor according to the following formula.



| Lighting Color | Material | V (V) | | L (mm) | | L (mm) | | Viewing angle at 95% Ia |
|----------------|----------|-------|-----|----------------------------|-----|--------|-----|-------------------------|
| | | Typ | Max | L1 | L2 | L1 | L2 | |
| Red | AlGaInP | 2.0 | 2.5 | 630 | 640 | 18 | 50 | 85 |
| Orange | AlGaInP | 2.0 | 2.5 | 630 | 650 | 20 | 60 | 120 |
| Yellow | AlGaInP | 2.0 | 2.5 | 580 | 590 | 17 | 60 | 130 |
| Green | AlGaInP | 2.0 | 2.5 | 570 | 570 | 20 | 25 | 45 |
| Blue | InGaN | 3.0 | 3.6 | 520 | 520 | 35 | 200 | 200 |
| White | InGaN | 3.0 | 3.6 | 460 | 460 | 25 | 20 | 90 |
| | InGaN | 3.1 | 3.7 | R=0.25-0.31 T=0.34-0.35 | | 125 | 200 | 130 |



Diagram

| Model | Dimensions | Circuit Diagram |
|-----------------------|------------|---|
| T3116D010215 | | Circuit Diagram PCB Layout Recommended |
| T3116D0101156 | | Circuit Diagram PCB Layout Recommended |
| T3116D01021513-34 | | Circuit Diagram PCB Layout Recommended |
| T311N1D0101165-34 | | Circuit Diagram PCB Layout Recommended |

MICRO SWITCH LAMP SWITCHES

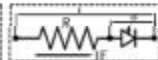


Specification :

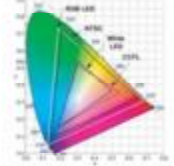
- Current Rating DC12V 50mA
- Contact Resistance 100mΩ Max
- Insulation Resistance 100MΩ Min(DC250V)
- Withstand Voltage AC250V (50-60Hz) for 1 minute
- Operation Force 160±50gf, 180±50gf, 250±50gf
- Mechanical Life 10 0000 Cycles

Pay attention to the use of LED lighting switch
 ①The polarity of LED is marked with the "+" mark on the bottom of the switch as the positive pole, marked with "-" mark as the negative pole.
 ②Please connect the current limiting resistor on the LED lighting loop. Because the switch has no internal limiting current resistance, it is full Foot LED characteristic, please match the voltage condition, connect the current limiting resistor according to the following formula:


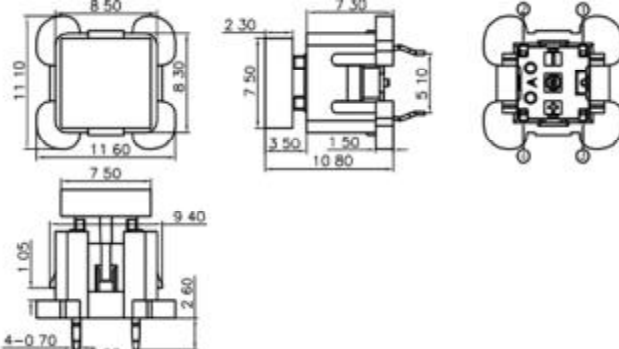
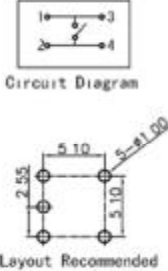
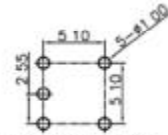
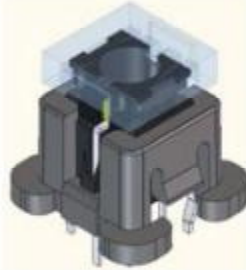
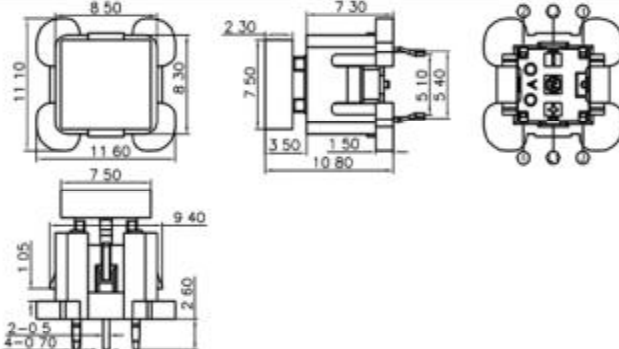
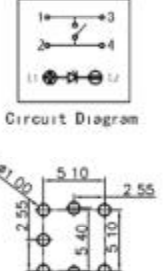
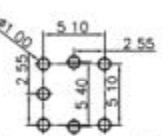

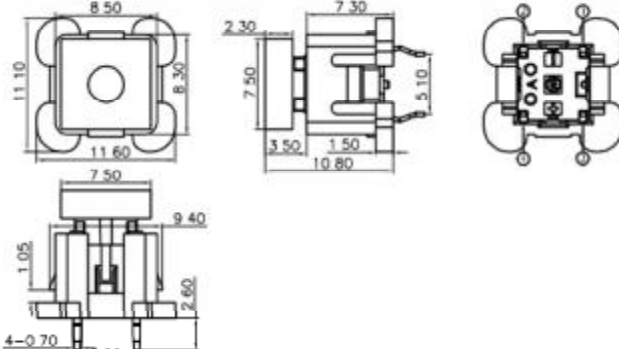
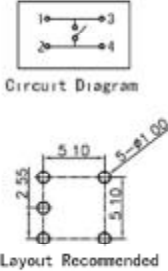
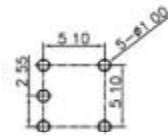

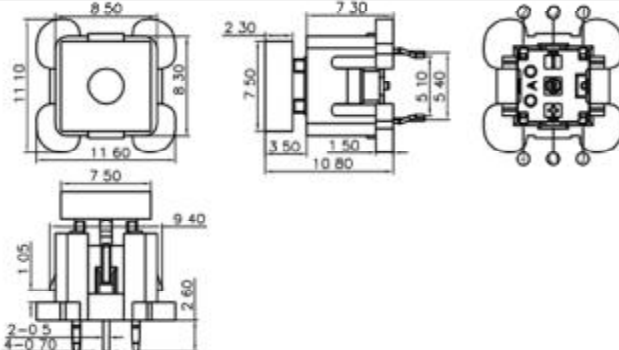
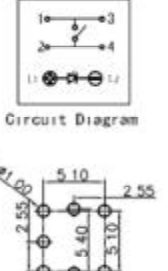
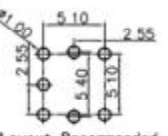
$$\text{限流电阻 (R)} = \frac{\text{使用电压 (E)} - \text{LED正向工作电压 (VF)}}{\text{LED正向电流 (IF)}}$$



| Lighting Color | Material | V (V) | | L (mm) | | L (mm) | | Viewing angle at 95% Ia |
|----------------|----------|-------|-----|----------------------------|-----|--------|-----|-------------------------|
| | | Typ | Max | L1 | L2 | Min | Typ | |
| Red | AlGaInP | 2.0 | 2.5 | 630 | 640 | 18 | 90 | 90 |
| Orange | AlGaInP | 2.0 | 2.5 | 630 | 650 | 20 | 90 | 120 |
| Yellow | AlGaInP | 2.0 | 2.5 | 580 | 590 | 17 | 90 | 130 |
| Green | AlGaInP | 2.0 | 2.5 | 570 | 570 | 20 | 23 | 45 |
| Blue | InGaN | 3.0 | 3.6 | 520 | 520 | 35 | 200 | 200 |
| White | InGaN | 3.1 | 3.6 | 460 | 460 | 25 | 20 | 90 |
| | InGaN | 3.1 | 3.7 | R=0.25-0.31 T=0.34-0.35 | | 120 | 200 | 130 |



Diagram

| Model | Dimensions | Circuit Diagram |
|--|--|---|
|  T3116D0102150F |  |  Circuit Diagram  PCB Layout Recommended |
|  T3116D0101254F |  |  Circuit Diagram  PCB Layout Recommended |
|  T3116D0101150FY |  |  Circuit Diagram  PCB Layout Recommended |
|  T3116D0102156FY |  |  Circuit Diagram  PCB Layout Recommended |

MICRO SWITCH LAMP SWITCHES

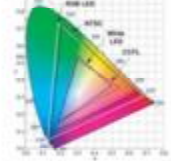
Specification :

- Current Rating DC12V 50mA
- Contact Resistance 100mΩ Max
- Insulation Resistance 100MΩ Min(DC250V)
- Withstand Voltage AC250V(50-60Hz) for 1 minute
- Operation Force 300±100gf, 500±100gf
- Mechanical Life 10 0000 Cycles 100 00000 Cycles

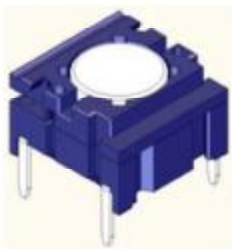
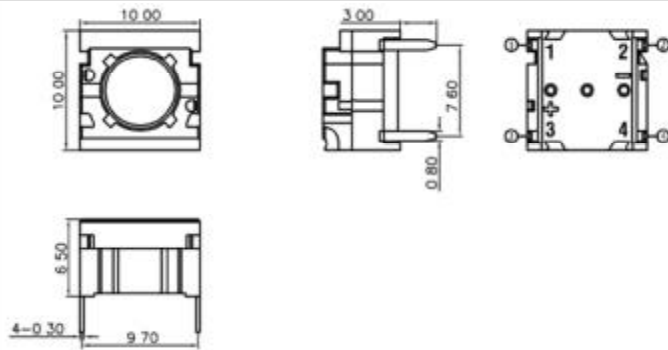
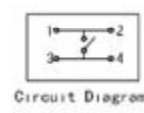
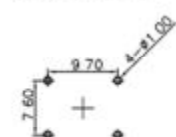
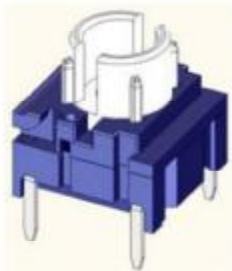
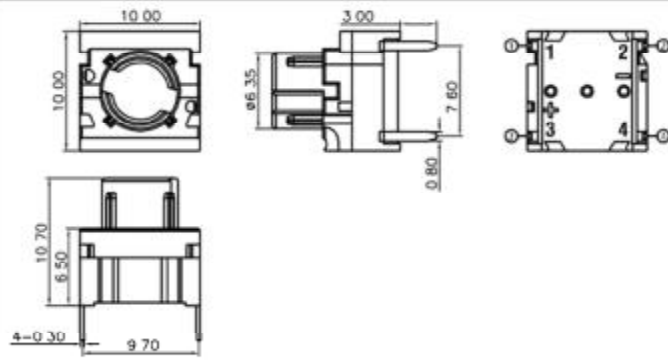
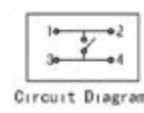


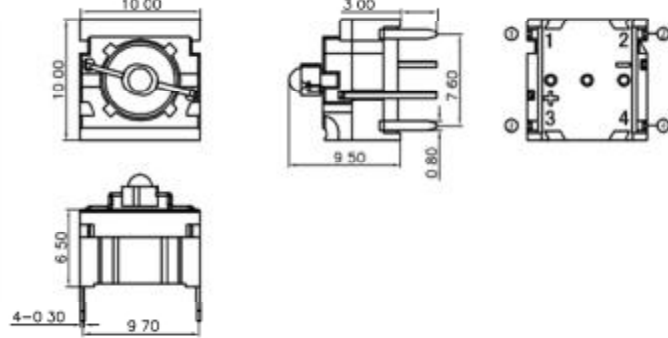
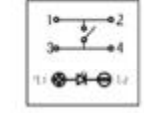

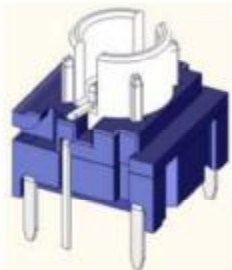
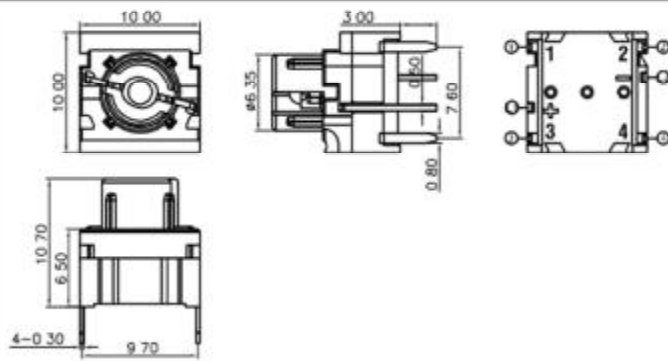
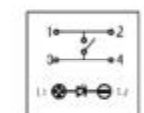
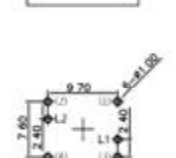
Pay attention to the use of LED lighting switch
 ①The polarity of LED is marked with the "+" mark on the bottom of the switch as the positive pole, marked with "-" mark as the negative pole.
 ②Please connect the current limiting resistor on the LED lighting loop. Because the switch has no internal limiting current resistance, it is full Foot LED characteristic, please watch the voltage condition, connect the current limiting resistor according to the following formula.

$$\text{限流电阻 (R)} = \frac{\text{使用电压 (E)} - \text{LED正向工作电压 (VF)}}{\text{LED正向电流 (IF)}}$$

| Lighting Color | Material | V (V) | | L (mm) | | I (mA) | | Viewing angle at 95% Ic |
|----------------|----------|-------|-----|----------------------------|-----|--------|-----|-------------------------|
| | | Typ | Max | L1 | L2 | Min | Typ | |
| Red | AlGaInP | 2.0 | 2.5 | 630 | 640 | 18 | 90 | 90 |
| Orange | AlGaInP | 2.0 | 2.5 | 630 | 650 | 20 | 80 | 120 |
| Yellow | AlGaInP | 2.0 | 2.5 | 580 | 590 | 17 | 80 | 130 |
| Green | AlGaInP | 2.0 | 2.5 | 570 | 575 | 20 | 23 | 45 |
| Blue | InGaN | 3.2 | 3.6 | 520 | 520 | 35 | 200 | 200 |
| White | InGaN | 3.1 | 3.6 | 460 | 460 | 25 | 20 | 90 |
| | InGaN | 3.1 | 3.7 | R=0.25-0.31 T=0.34-0.35 | | 125 | 200 | 130 |



Diagram

| Model | Dimensions | Circuit Diagram |
|---|--|---|
|  T310D0101300D |  |  Circuit Diagram  PCB Layout Recommended |
|  T3635D0102300E |  |  Circuit Diagram  PCB Layout Recommended |
|  T310D0101506D |  |  Circuit Diagram  PCB Layout Recommended |
|  T3635D0102301E |  |  Circuit Diagram  PCB Layout Recommended |

MICRO SWITCH LAMP SWITCHES

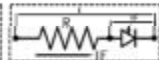


Specification :

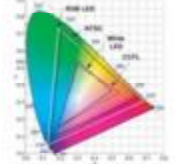
- Current Rating DC12V 50mA
- Contact Resistance 100mΩ Max
- Insulation Resistance 100MΩ Min(DC250V)
- Withstand Voltage AC250V (50-60Hz) for 1 minute
- Operation Force 300±100gf, 500±100gf
- Mechanical Life 10 0000 Cycles 100 00000 Cycles

Pay attention to the use of LED lighting switch
 ①The polarity of LED is marked with the "+" mark on the bottom of the switch as the positive pole, marked with "-" mark as the negative pole.
 ②Please connect the current limiting resistor on the LED lighting loop. Because the switch has no internal limiting current resistance, it is full Foot LED characteristic, please notch the voltage condition, connect the current limiting resistor according to the following formula:


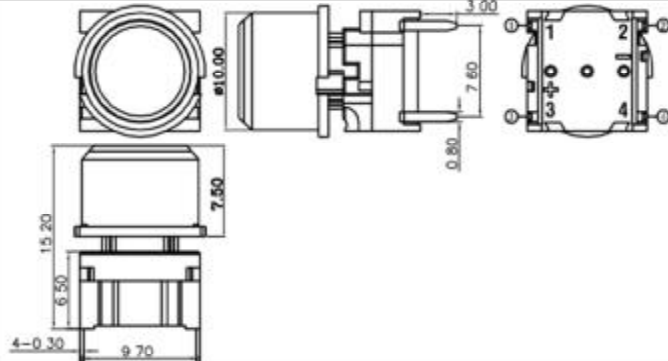
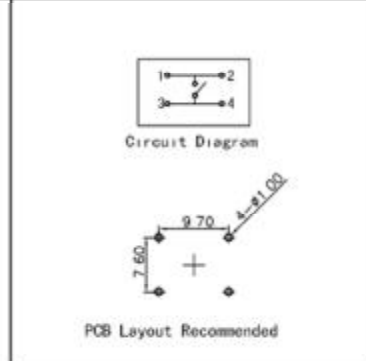

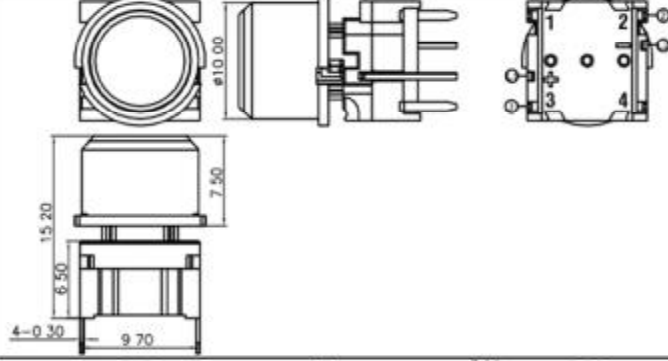
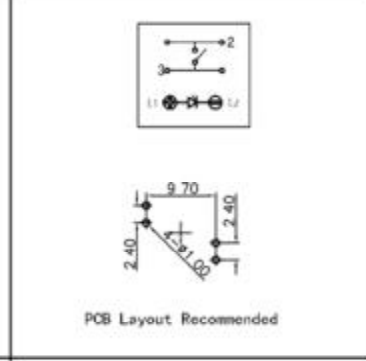

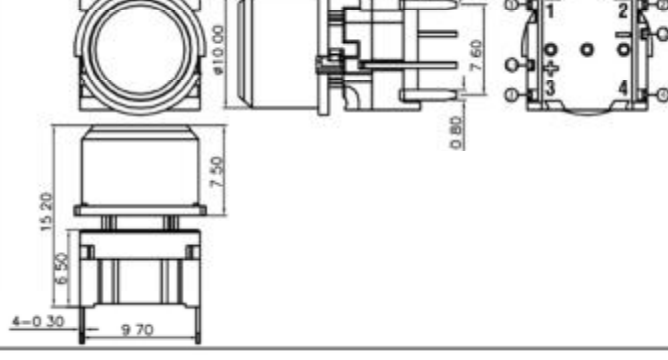
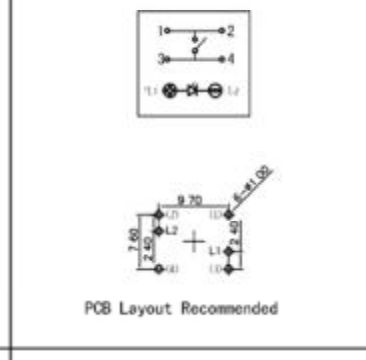

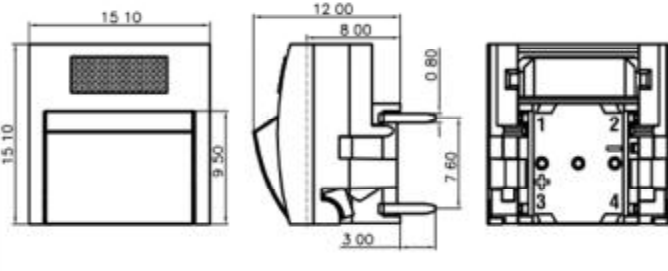
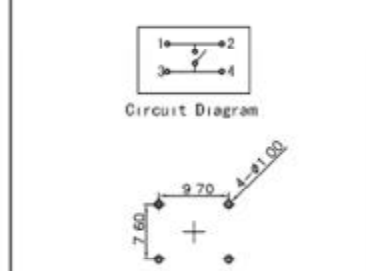
$$\text{限流电阻 (R)} = \frac{\text{使用电压 (E)} - \text{LED正向工作电压 (VF)}}{\text{LED正向电流 (IF)}}$$



| Lighting Color | Material | V (V) | | L (mm) | | L (mm) | | Viewing angle at 90° Lr | |
|----------------|----------|-------|-----|----------------------------|-----|--------|-----|-------------------------|-----|
| | | Typ | Max | L1 | L2 | L1 | L2 | | |
| Red | AlGaInP | 2.0 | 2.5 | 630 | 640 | 18 | 50 | 85 | 150 |
| Orange | AlGaInP | 2.0 | 2.5 | 630 | 650 | 20 | 60 | 120 | 150 |
| Yellow | AlGaInP | 2.0 | 2.5 | 580 | 590 | 17 | 60 | 150 | 150 |
| Green | InGaIn | 2.0 | 2.5 | 570 | 570 | 20 | 25 | 45 | 150 |
| Blue | InGaIn | 3.0 | 3.6 | 520 | 520 | 35 | 200 | 200 | 150 |
| White | InGaIn | 3.0 | 3.6 | 460 | 460 | 25 | 20 | 50 | 150 |
| | InGaIn | 3.1 | 3.7 | R=0.25~0.31 T=0.34~0.35 | | 120 | 200 | 150 | |



Diagram

| Model | Dimensions | Circuit Diagram |
|---|--|---|
|  T3975D0101300 |  |  |
|  T3975D01013018-23 |  |  |
|  T3975D0103306 |  |  |
|  T3151D010220 |  |  |

MICRO SWITCH LAMP SWITCHES



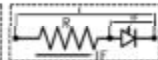
Specification :

- Current Rating DC12V 50mA
- Contact Resistance 100mΩ Max
- Insulation Resistance 100MΩ Min(DC250V)
- Withstand Voltage AC250V (50-60Hz) for 1 minute
- Operation Force 300±100gf, 500±100gf
- Mechanical Life 10 0000 Cycles 100 00000 Cycles

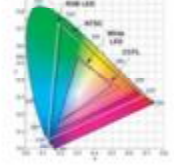
Pay attention to the use of LED lighting switch

- ①The polarity of LED is marked with "+" mark on the bottom of the switch as the positive pole, marked with "-" mark as the negative pole.
- ②Please connect the current limiting resistor on the LED lighting loop. Because the switch has no internal limiting current resistance, it is full Foot LED characteristic, please notch the voltage condition, connect the current limiting resistor according to the following formula.

$$\text{限流电阻 (R)} = \frac{\text{使用电压 (E)} - \text{LED正向工作电压 (VF)}}{\text{LED正向电流 (IF)}}$$



| Lighting Color | Material | V (V) | | I (mA) | | I (mA) | | Viewing angle at 95% I _F |
|----------------|----------|-------|-----|----------------------------|----------------|--------|-----|-------------------------------------|
| | | Typ | Max | I ₀ | I ₁ | Min | Typ | |
| Red | AlGaInP | 2.0 | 2.5 | 630 | 640 | 18 | 90 | 90 |
| Orange | AlGaInP | 2.0 | 2.5 | 630 | 650 | 20 | 80 | 120 |
| Yellow | AlGaInP | 2.0 | 2.5 | 580 | 590 | 17 | 80 | 130 |
| Green | AlGaInP | 2.0 | 2.5 | 570 | 575 | 20 | 23 | 45 |
| Blue | InGaN | 3.2 | 3.6 | 520 | 520 | 35 | 200 | 200 |
| White | InGaN | 3.1 | 3.6 | 460 | 460 | 25 | 20 | 90 |
| | InGaN | 3.1 | 3.7 | R=0.25~0.31 V=0.34~0.35 | | 125 | 200 | 130 |



Diagram

| Model | Dimensions | Circuit Diagram |
|--------------------|------------|---|
| T310A0101300D | | Circuit Diagram PCB Layout Recommended |
| T3635A0101300E | | Circuit Diagram PCB Layout Recommended |
| T3975A0101300 | | Circuit Diagram PCB Layout Recommended |
| T3151A010120 | | Circuit Diagram PCB Layout Recommended |

MICRO SWITCH LAMP SWITCHES

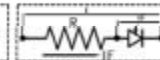


Specification :

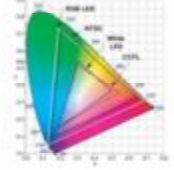
- Current Rating DC12V 50mA
- Contact Resistance 100mΩ Max
- Insulation Resistance 100MΩ Min(DC250V)
- Withstand Voltage AC250V (50-60Hz) for 1 minute
- Operation Force 160±50gf, 250±50gf
- Mechanical Life 10 0000 Cycles 100 000 Cycles

Pay attention to the use of LED lighting switch
 ①The polarity of LED is marked with the "+" mark on the bottom of the switch as the positive pole, marked with "-" mark as the negative pole.
 ②Please connect the current limiting resistor on the LED lighting loop. Because the switch has no internal limiting current resistance, it is full foot LED characteristic, please notch the voltage condition, connect the current limiting resistor according to the following formula.


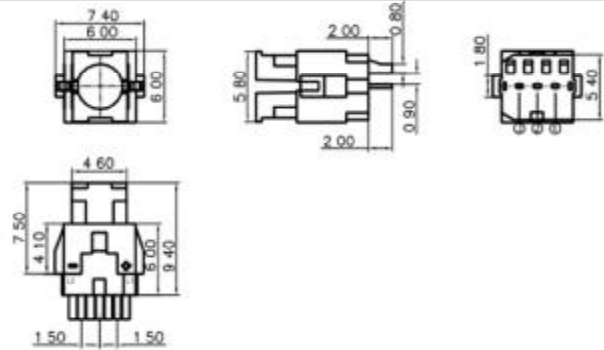
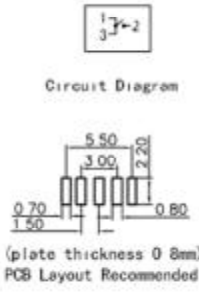

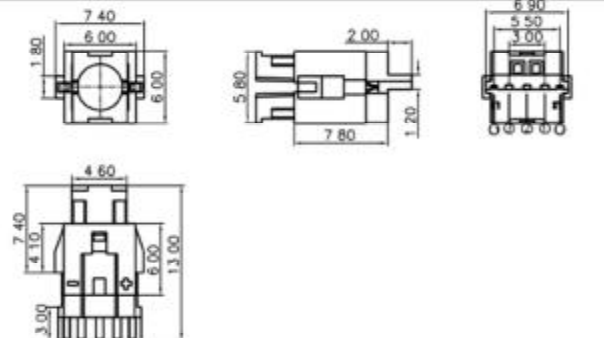
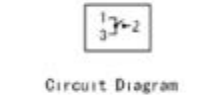

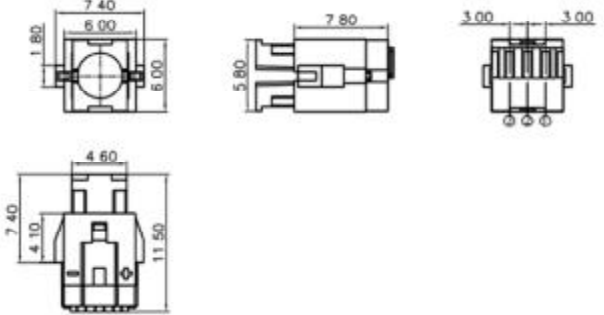
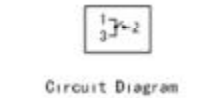

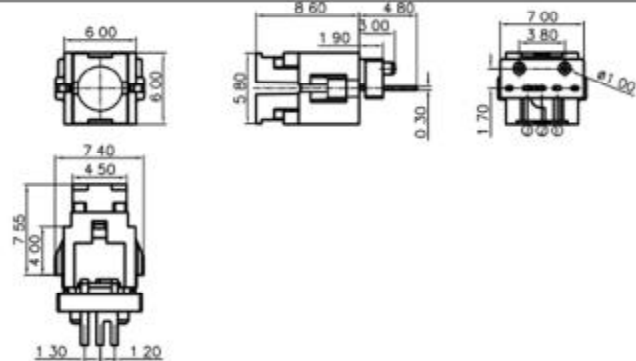
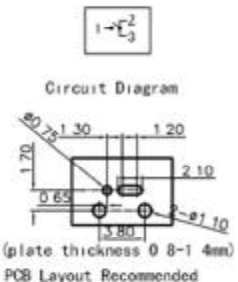
$$\text{限流电阻 (R)} = \frac{\text{使用电压 (E)} - \text{LED正向工作电压 (VF)}}{\text{LED正向电流 (IF)}}$$



| Lighting Color | Material | V (V) | | L (mm) | | L (mm) | | Viewing angle at 90° in | |
|----------------|----------|-------|-----|--------|-----|--------|-----|-------------------------|-----|
| | | Typ | Max | L1 | L2 | Min | Typ | | |
| Red | AlGaInP | 2.0 | 2.5 | 630 | 640 | 18 | 50 | 80 | 150 |
| Orange | AlGaInP | 2.0 | 2.5 | 620 | 630 | 20 | 60 | 120 | 130 |
| Yellow | AlGaInP | 2.0 | 2.5 | 580 | 590 | 17 | 60 | 130 | 150 |
| Green | InGaIn | 2.0 | 2.5 | 570 | 575 | 20 | 23 | 45 | 150 |
| Blue | InGaIn | 3.0 | 3.6 | 520 | 520 | 35 | 200 | 200 | 150 |
| White | InGaIn | 3.0 | 3.6 | 460 | 460 | 25 | 20 | 50 | 150 |



Diagram

| Model | Dimensions | Circuit Diagram |
|--|--|---|
|  T3074A0101160 |  |  Circuit Diagram (plate thickness 0.8mm) PCB Layout Recommended |
|  T3074W0101250 |  |  Circuit Diagram |
|  T3074W0102160 |  |  Circuit Diagram |
|  T3074C0101160 |  |  Circuit Diagram (plate thickness 0.8-1.4mm) PCB Layout Recommended |

MICRO SWITCH LAMP SWITCHES

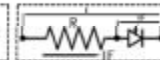


Specification :

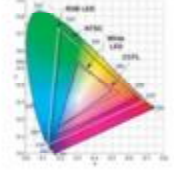
- Current Rating DC12V 50mA
- Contact Resistance 100mΩ Max
- Insulation Resistance 100MΩ Min(DC250V)
- Withstand Voltage AC250V (50-60Hz) for 1 minute
- Operation Force 160±50gf, 250±50gf
- Mechanical Life 10 0000 Cycles 100 000 Cycles

Pay attention to the use of LED lighting switch
 ①The polarity of LED is marked with the "+" mark on the bottom of the switch as the positive pole, marked with "-" mark as the negative pole.
 ②Please connect the current limiting resistor on the LED lighting loop. Because the switch has no internal limiting current resistance, it is full Foot LED characteristic, please notch the voltage condition, connect the current limiting resistor according to the following formula.

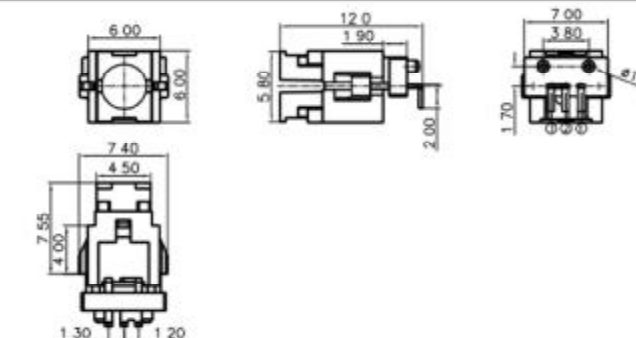


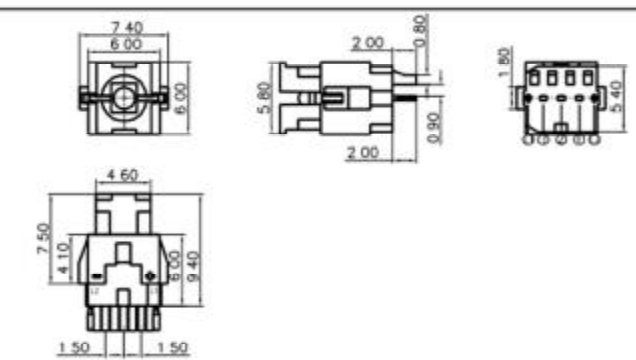

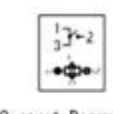

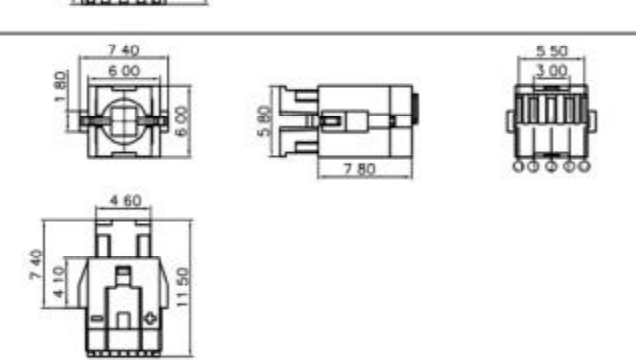
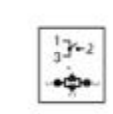
$$\text{限流电阻 (R)} = \frac{\text{使用电压 (E)} - \text{LED正向工作电压 (VF)}}{\text{LED正向电流 (IF)}}$$



| Lighting Color | Material | V (V) | | L (mm) | | L (mm) | | Viewing angle at 95% Ia | |
|----------------|----------|-------|-----|----------------------------|-----|--------|-----|-------------------------|-----|
| | | Typ | Max | L1 | L2 | Min | Typ | | |
| Red | AlGaInP | 2.0 | 2.5 | 630 | 640 | 18 | 90 | 85 | 150 |
| Orange | AlGaInP | 2.0 | 2.5 | 620 | 630 | 20 | 80 | 120 | 150 |
| Yellow | AlGaInP | 2.0 | 2.5 | 580 | 590 | 17 | 80 | 130 | 150 |
| Green | InGaIn | 2.0 | 2.5 | 570 | 575 | 20 | 23 | 45 | 150 |
| Blue | InGaIn | 3.1 | 3.6 | 520 | 520 | 35 | 200 | 200 | 150 |
| White | InGaIn | 3.1 | 3.7 | R=0.25-0.31 T=0.34-0.35 | | 120 | 200 | 150 | 150 |



Diagram

| Model | Dimensions | Circuit Diagram |
|--|--|--|
|  T374N2C0101160 |  |  Circuit Diagram |
|  T3074D01011610-334D |  |  Circuit Diagram  (plate thickness 0.8mm) PCB Layout Recommended |
|  T3074W01011610-33MD |  |  Circuit Diagram |
|  T3074A01011610-33MD |  |  Circuit Diagram |

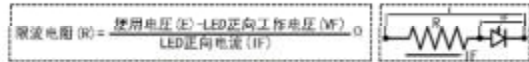
MICRO SWITCH LAMP SWITCHES



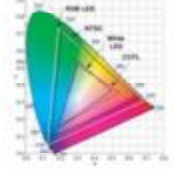
Specification :

- Current Rating DC12V 50mA
- Contact Resistance 100mΩ Max
- Insulation Resistance 100MΩ Min(DC250V)
- Withstand Voltage AC250V(50-60Hz) for 1 minute
- Operation Force 160±50gf, 250±50gf
- Mechanical Life 10 0000 Cycles 100 000 Cycles


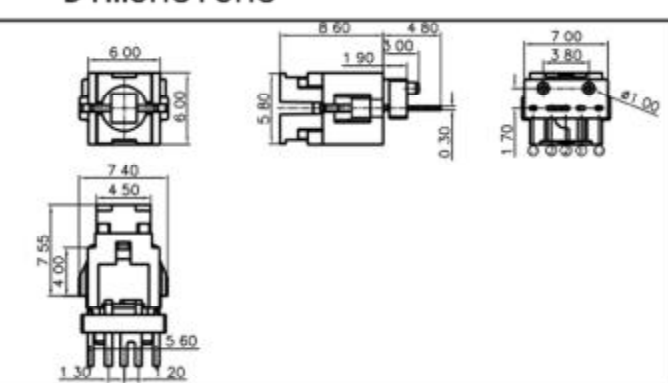
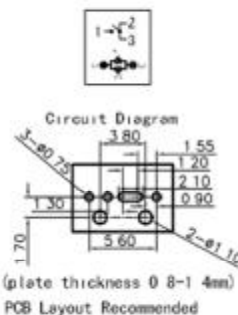

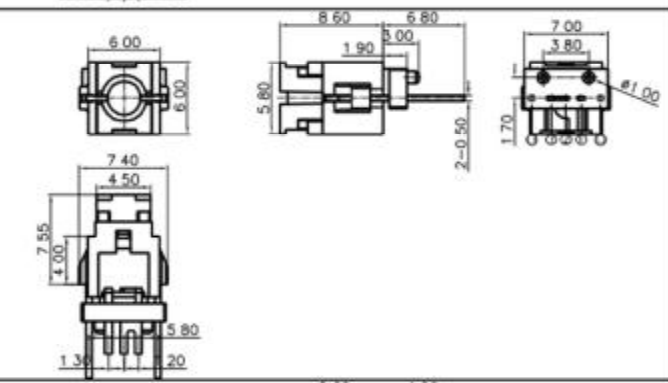
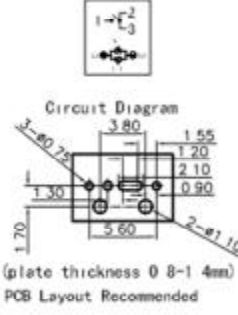

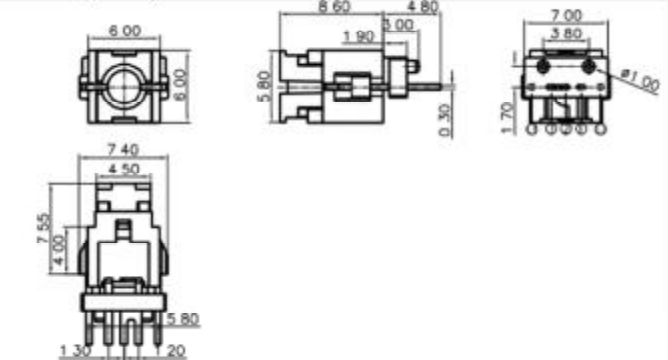
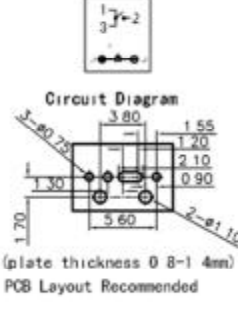

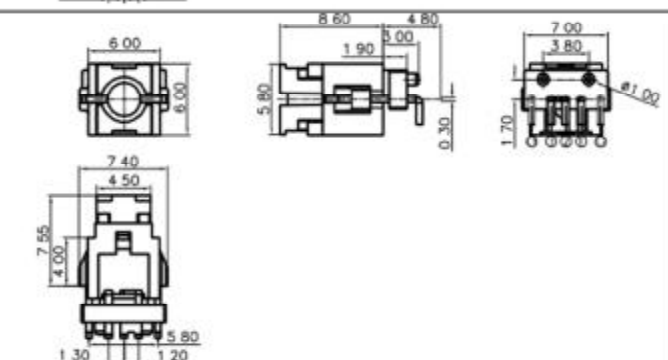
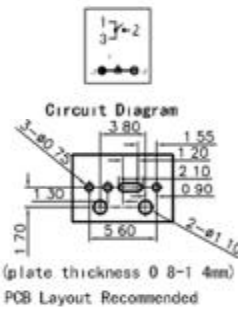
Pay attention to the use of LED lighting switch
 ①The polarity of LED is marked with the "+" mark on the bottom of the switch as the positive pole, marked with "-" mark as the negative pole.
 ②Please connect the current limiting resistor on the LED lighting loop. Because the switch has no internal limiting current resistance, it is full Foot LED characteristic, please notch the voltage condition, connect the current limiting resistor according to the following formula.



| Lighting Colour | Material | V (V) | | I _a (mA) | | I _f (mA) | | Viewing angle at 95% I _f |
|-----------------|----------|-------|-----|----------------------------|----------------|---------------------|-----|-------------------------------------|
| | | Typ | Max | I _a | I _a | Min | Typ | |
| Red | AlGaInP | 2.0 | 2.5 | 630 | 640 | 18 | 90 | 150 |
| Orange | AlGaInP | 2.0 | 2.5 | 630 | 650 | 20 | 80 | 120 |
| Yellow | AlGaInP | 2.0 | 2.5 | 580 | 590 | 17 | 80 | 150 |
| Green | AlGaInP | 2.0 | 2.5 | 570 | 570 | 20 | 23 | 45 |
| Blue | InGaN | 3.0 | 3.6 | 520 | 520 | 35 | 200 | 150 |
| White | InGaN | 3.0 | 3.6 | 460 | 460 | 25 | 20 | 90 |
| | InGaN | 3.1 | 3.7 | R=0.25-0.21 V=0.34-0.33 | | 120 | 200 | 150 |



Diagram

| Model | Dimensions | Circuit Diagram |
|---|--|--|
|  T3074C01011610-L21 |  |  Circuit Diagram 3.80 1.55 1.20 2.10 0.90 5.60 2-ø1.0 1.70 1.30 3-ø0.75 (plate thickness 0.8-1.4mm) PCB Layout Recommended |
|  T374N4C01011620 |  |  Circuit Diagram 3.80 1.55 1.20 2.10 0.90 5.60 2-ø1.0 1.70 1.30 3-ø0.75 (plate thickness 0.8-1.4mm) PCB Layout Recommended |
|  T374N1C0101166 |  |  Circuit Diagram 3.80 1.55 1.20 2.10 0.90 5.60 2-ø1.0 1.70 1.30 3-ø0.75 (plate thickness 0.8-1.4mm) PCB Layout Recommended |
|  T374N2C0101166 |  |  Circuit Diagram 3.80 1.55 1.20 2.10 0.90 5.60 2-ø1.0 1.70 1.30 3-ø0.75 (plate thickness 0.8-1.4mm) PCB Layout Recommended |

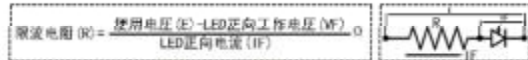
MICRO SWITCH LAMP SWITCHES



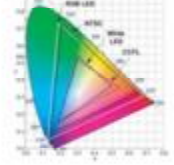
Specification :

- Current Rating DC12V 50mA
- Contact Resistance 100mΩ Max
- Insulation Resistance 100MΩ Min(DC250V)
- Withstand Voltage AC250V(50-60Hz) for 1 minute
- Operation Force 160±50gf, 250±50gf
- Mechanical Life 10 0000 Cycles 100 000 Cycles


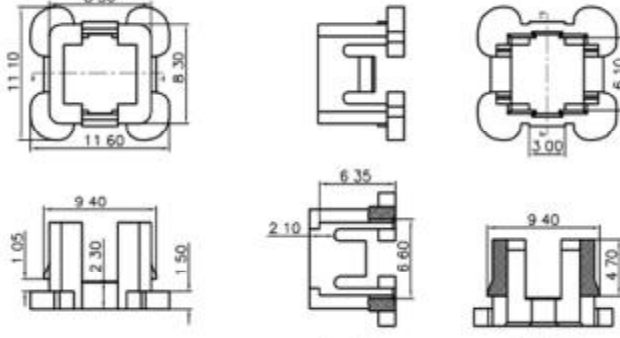
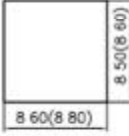

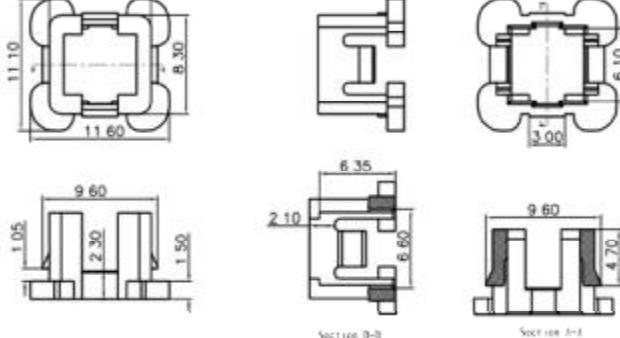
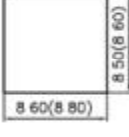

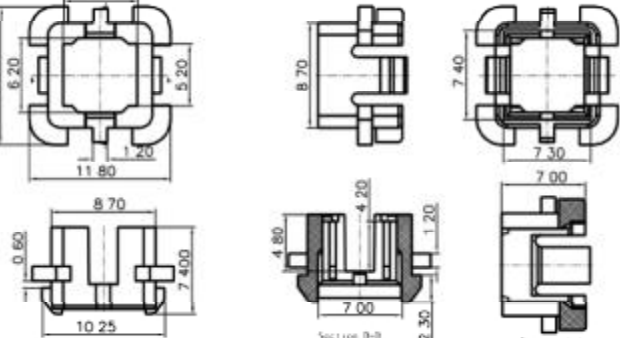
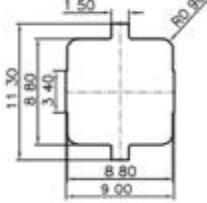

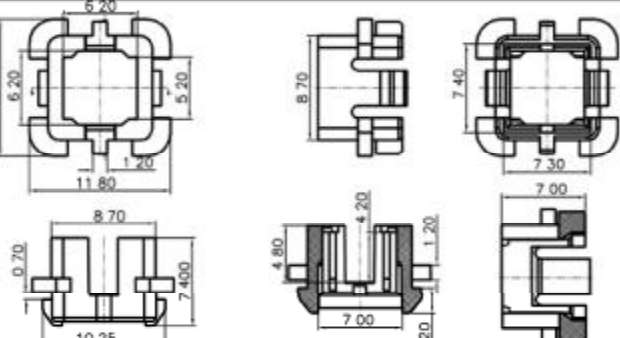
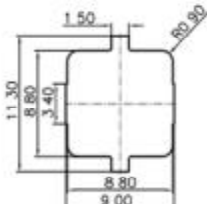
Pay attention to the use of LED lighting switch
 ①The polarity of LED is marked with the "+" mark on the bottom of the switch as the positive pole, marked with "-" mark as the negative pole.
 ②Please connect the current limiting resistor on the LED lighting loop. Because the switch has no internal limiting current resistance, it is full Foot LED characteristic, please match the voltage condition, connect the current limiting resistor according to the following formula:



| Lighting Color | Material | W (°) | | L (mm) | | L (mm) | | Viewing angle at 90° Lr | |
|----------------|----------|-------|-----|----------------|----------------|--------|-----|-------------------------|-----|
| | | Typ | Max | L ₁ | L ₂ | Min | Typ | | |
| Red | AlGaInP | 2.0 | 2.5 | 630 | 640 | 18 | 50 | 85 | 150 |
| Orange | AlGaInP | 2.0 | 2.5 | 630 | 650 | 20 | 60 | 120 | 150 |
| Yellow | AlGaInP | 2.0 | 2.5 | 580 | 590 | 17 | 60 | 130 | 150 |
| Green | InGaIn | 2.0 | 2.0 | 570 | 570 | 20 | 25 | 45 | 150 |
| Blue | InGaIn | 3.0 | 3.0 | 620 | 620 | 35 | 200 | 200 | 150 |
| White | InGaIn | 3.0 | 3.7 | 640±0.25-0.21 | 640±0.25-0.21 | 25 | 20 | 50 | 150 |



Diagram

| Model | Dimensions | Circuit Diagram |
|--|--|---|
|  L01T3116D0103155 |  |  Panel opening size Panel thickness 0.8-1.0mm |
|  L01T3111D010230 |  |  Panel opening size Panel thickness 0.8-1.0mm |
|  L04T3111W01011621-262NC |  |  Panel opening size Panel thickness 0.5-0.55mm |
|  L03T3074C01011610 |  |  Panel opening size Panel thickness 0.5-0.55mm |

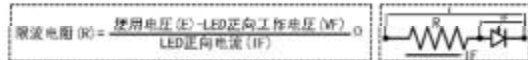
MICRO SWITCH LAMP SWITCHES



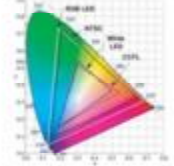
Specification :

- Current Rating DC12V 50mA
- Contact Resistance 100mΩ Max
- Insulation Resistance 100MΩ Min(DC250V)
- Withstand Voltage AC250V(50-60Hz) for 1 minute
- Operation Force 160±50gf, 250±50gf
- Mechanical Life 10 0000 Cycles 100 000 Cycles

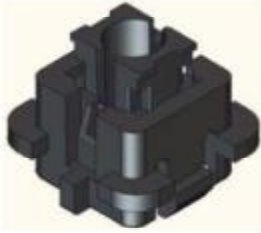
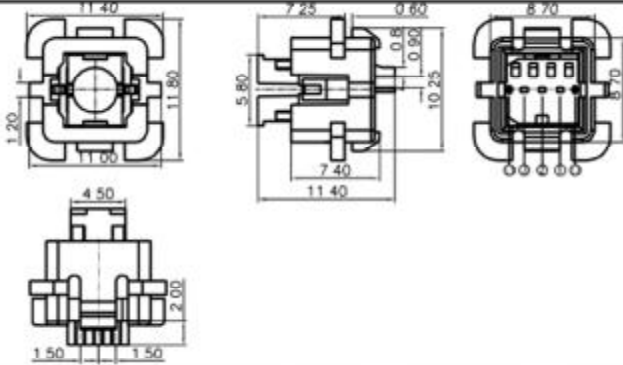
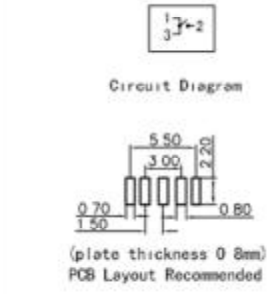

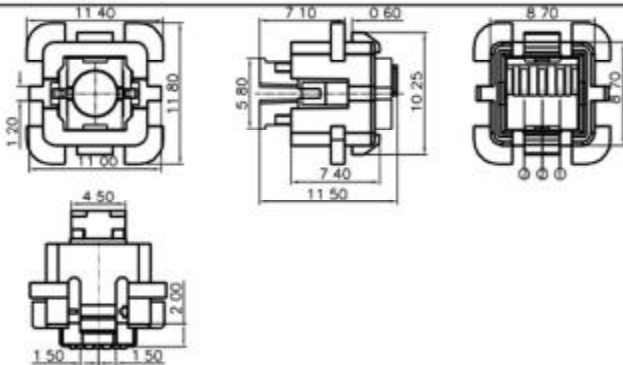
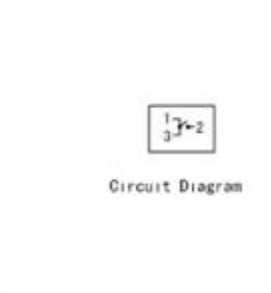

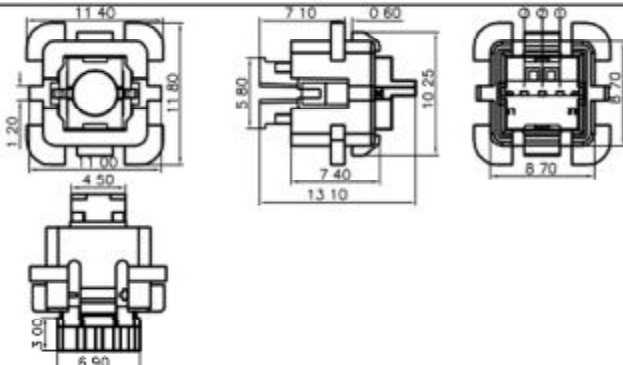
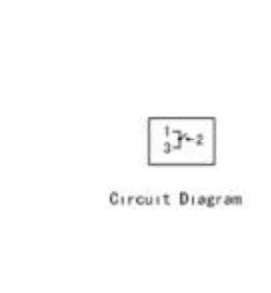
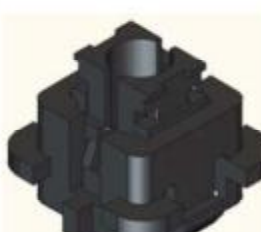
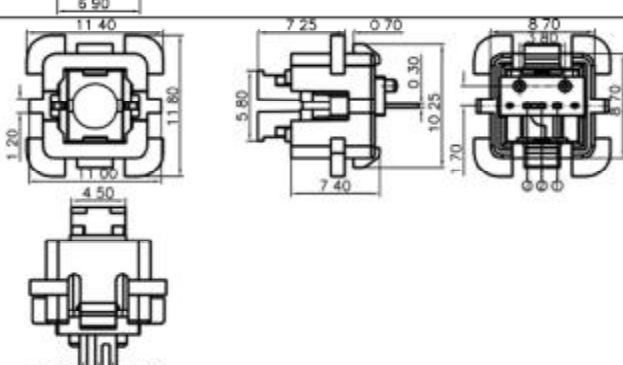
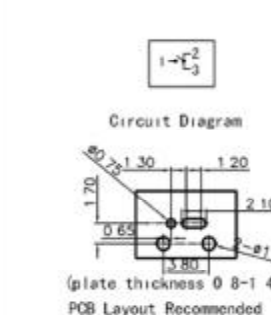
Pay attention to the use of LED lighting switch
 ①The polarity of LED is marked with the "+" mark on the bottom of the switch as the positive pole, marked with "-" mark as the negative pole.
 ②Please connect the current limiting resistor on the LED lighting loop. Because the switch has no internal limiting current resistance, it is full Foot LED characteristic, please match the voltage condition, connect the current limiting resistor according to the following formula.



| Lighting Color | Material | W (V) | | L (mm) | | L (mm) | | Viewing angle at 95% Ia |
|----------------|----------|-------|-----|----------------------------|----------------|--------|-----|-------------------------|
| | | Typ | Max | L ₁ | L ₂ | Min | Typ | |
| Red | AlGaInP | 2.0 | 2.5 | 630 | 640 | 18 | 90 | 95 |
| Orange | AlGaInP | 2.0 | 2.5 | 620 | 630 | 20 | 80 | 120 |
| Yellow | AlGaInP | 2.0 | 2.5 | 580 | 590 | 17 | 80 | 130 |
| Green | InGaIn | 2.0 | 2.5 | 570 | 570 | 20 | 23 | 45 |
| Blue | InGaIn | 3.0 | 3.6 | 620 | 620 | 30 | 200 | 200 |
| White | InGaIn | 3.0 | 3.6 | 460 | 460 | 25 | 20 | 90 |
| | InGaIn | 3.1 | 3.7 | R=0.25-0.31 T=0.34-0.35 | | 120 | 200 | 130 |



Diagram

| Model | Dimensions | Circuit Diagram |
|--|--|---|
|  T3114A0101160F |  |  Circuit Diagram (plate thickness 0.8mm) PCB Layout Recommended |
|  T3114W0101160F |  |  Circuit Diagram |
|  T311N1W0101160F |  |  Circuit Diagram |
|  T311N1D0101160F |  |  Circuit Diagram (plate thickness 0.8-1.4mm) PCB Layout Recommended |

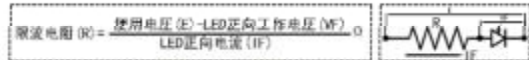
MICRO SWITCH LAMP SWITCHES



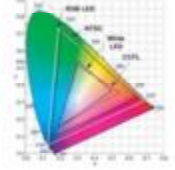
Specification :

- Current Rating DC12V 50mA
- Contact Resistance 100mΩ Max
- Insulation Resistance 100MΩ Min(DC250V)
- Withstand Voltage AC250V(50-60Hz) for 1 minute
- Operation Force 160±50gf, 250±50gf
- Mechanical Life 10 0000 Cycles 100 000 Cycles


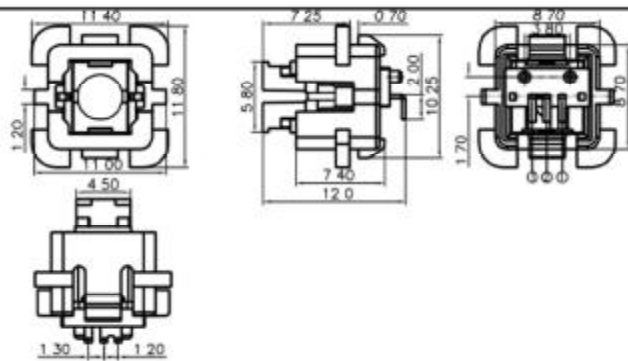
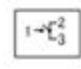

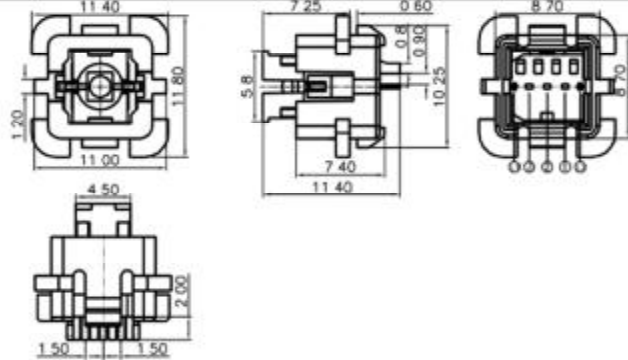
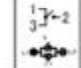
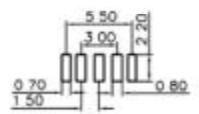

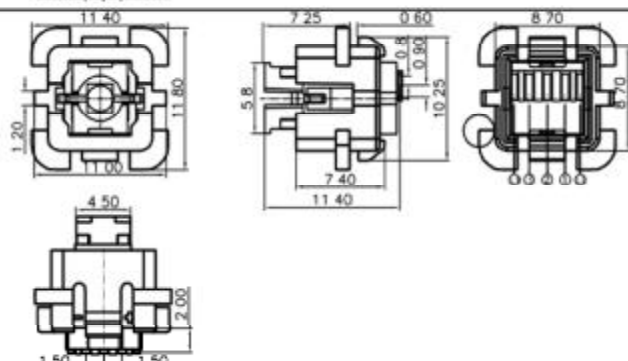
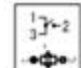

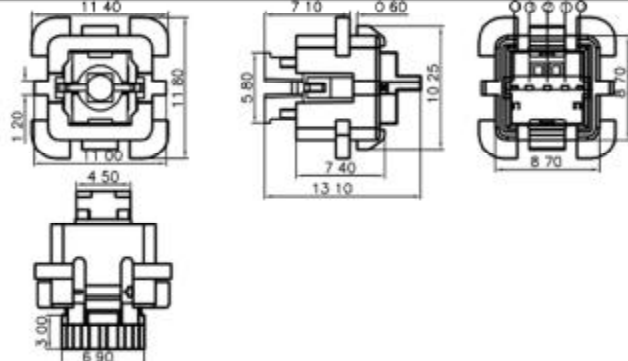
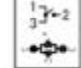
Pay attention to the use of LED lighting switch
 ①The polarity of LED is marked with the "+" mark on the bottom of the switch as the positive pole, marked with "-" mark as the negative pole.
 ②Please connect the current limiting resistor on the LED lighting loop. Because the switch has no internal limiting current resistance, it is full Foot LED characteristic, please watch the voltage condition, connect the current limiting resistor according to the following formula.



| Lighting Color | Material | W (V) | | L (mm) | | L (mm) | | Viewing angle at 95% Ia |
|----------------|----------|-------|-----|----------------------------|----------------|--------|-----|-------------------------|
| | | Typ | Max | L ₁ | L ₂ | Min | Typ | |
| Red | AlGaInP | 2.0 | 2.5 | 630 | 640 | 18 | 90 | 85 |
| Orange | AlGaInP | 2.0 | 2.5 | 630 | 650 | 20 | 80 | 120 |
| Yellow | AlGaInP | 2.0 | 2.5 | 580 | 590 | 17 | 80 | 130 |
| Green | InGaIn | 2.0 | 2.5 | 570 | 570 | 20 | 23 | 45 |
| Blue | InGaIn | 3.0 | 3.0 | 620 | 620 | 35 | 200 | 200 |
| White | InGaIn | 3.0 | 3.0 | 460 | 460 | 25 | 20 | 90 |
| | InGaIn | 3.1 | 3.7 | R=0.25-0.31 V=0.34-0.35 | | 120 | 200 | 130 |



Diagram

| Model | Dimensions | Circuit Diagram |
|---|--|--|
|  T31141W0101160 |  |  Circuit Diagram |
|  T3114A01011610F |  |  Circuit Diagram  (plate thickness 0.8mm) PCB Layout Recommended |
|  T3111W01011621-262CU |  |  Circuit Diagram |
|  T311N1W01011621F |  |  Circuit Diagram |

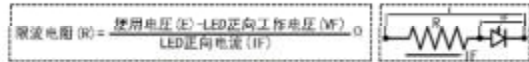
MICRO SWITCH LAMP SWITCHES



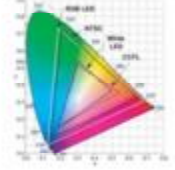
Specification :

- Current Rating DC12V 50mA
- Contact Resistance 100mΩ Max
- Insulation Resistance 100MΩ Min(DC250V)
- Withstand Voltage AC250V(50-60Hz) for 1 minute
- Operation Force 160±50gf, 250±50gf
- Mechanical Life 10 0000 Cycles 100 0000cycles


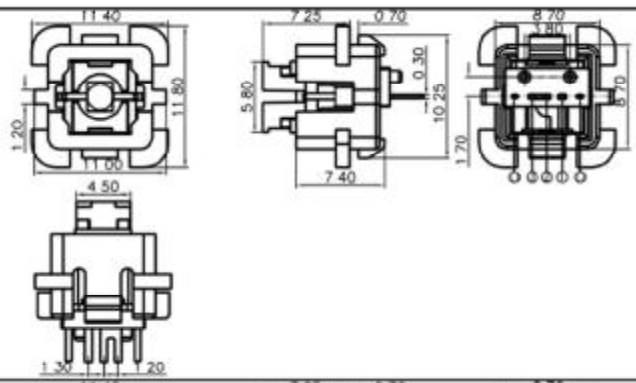
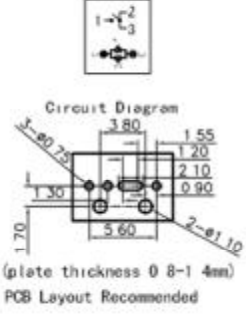

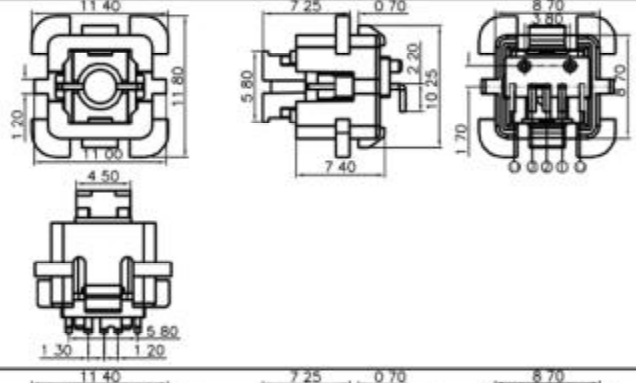
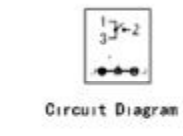

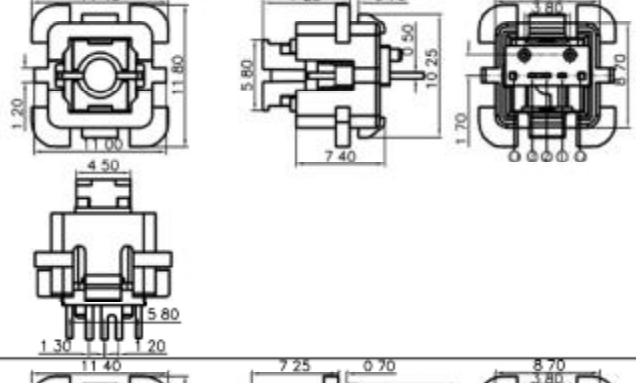
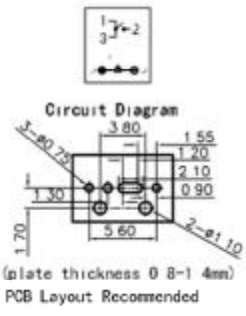

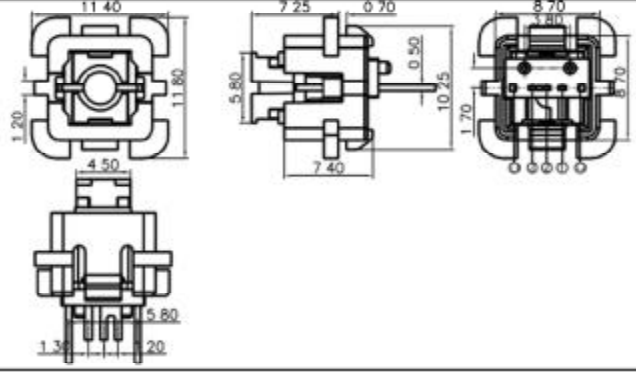
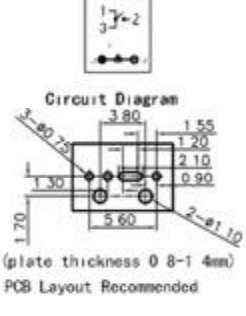
Pay attention to the use of LED lighting switch
 ①The polarity of LED is marked with the "+" mark on the bottom of the switch as the positive pole, marked with "-" mark as the negative pole.
 ②Please connect the current limiting resistor on the LED lighting loop. Because the switch has no internal limiting current resistance, it is full Foot LED characteristic, please notch the voltage condition, connect the current limiting resistor according to the following formula.



| Lighting Colour | Material | V (V) | | I (mA) | | I (mA) | | Viewing angle at 95% Ia |
|-----------------|----------|-------|-----|----------------------------|----------------|----------------|-----|-------------------------|
| | | Typ | Max | I _o | I _a | I ₁ | Min | |
| Red | AlGaInP | 2.0 | 2.5 | 630 | 640 | 18 | 90 | 90 |
| Orange | AlGaInP | 2.0 | 2.5 | 620 | 630 | 20 | 80 | 120 |
| Yellow | AlGaInP | 2.0 | 2.5 | 580 | 590 | 17 | 80 | 130 |
| Green | InGaIn | 2.0 | 2.5 | 570 | 575 | 20 | 23 | 45 |
| Blue | InGaIn | 3.0 | 3.6 | 520 | 520 | 30 | 200 | 200 |
| White | InGaIn | 3.1 | 3.6 | 460 | 460 | 25 | 20 | 90 |
| | InGaIn | 3.1 | 3.7 | R=0.25-0.21 V=0.34-0.33 | | 120 | 200 | 130 |



Diagram

| Model | Dimensions | Circuit Diagram |
|--|--|---|
|  T311N1D01011610-L21 |  |  Circuit Diagram 3.80, 1.55, 1.20, 2.10, 0.90, 5.60, 2-ø1.10, 1.70, 1.30, 3-ø0.75 (plate thickness 0.8-1.4mm) PCB Layout Recommended |
|  T3114W0101166 |  |  Circuit Diagram |
|  T311N2D0101166 |  |  Circuit Diagram 3.80, 1.55, 1.20, 2.10, 0.90, 5.60, 2-ø1.10, 1.70, 1.30, 3-ø0.75 (plate thickness 0.8-1.4mm) PCB Layout Recommended |
|  T3114W0102166 |  |  Circuit Diagram 3.80, 1.55, 1.20, 2.10, 0.90, 5.60, 2-ø1.10, 1.70, 1.30, 3-ø0.75 (plate thickness 0.8-1.4mm) PCB Layout Recommended |

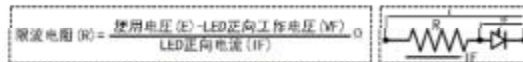
MICRO SWITCH LAMP SWITCHES



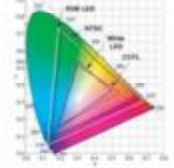
Specification :

- Current Rating DC12V 50mA
- Contact Resistance 100mΩ Max
- Insulation Resistance 100MΩ Min(DC250V)
- Withstand Voltage AC250V(50-60Hz) for 1 minute
- Operation Force 450±100gf.
- Mechanical Life 10 0000 Cycles 25 000 Cycles

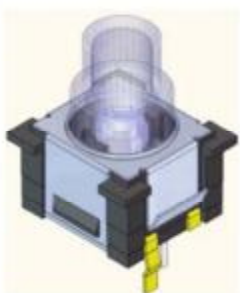
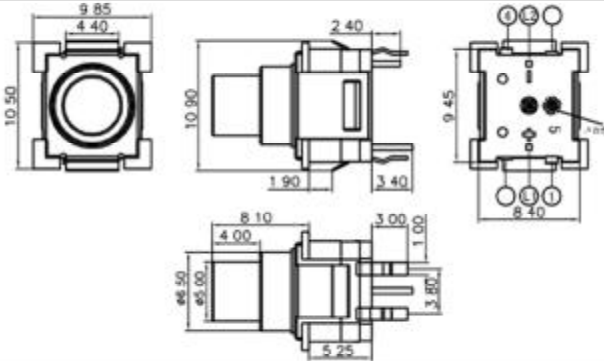
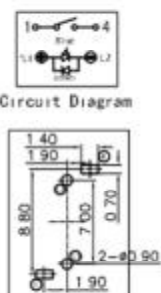
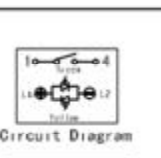

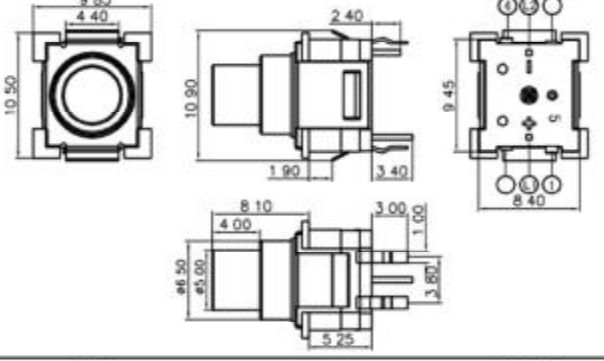
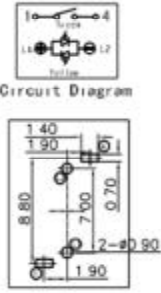
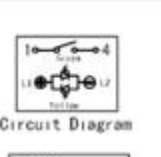
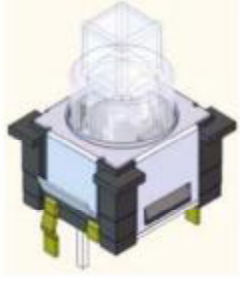
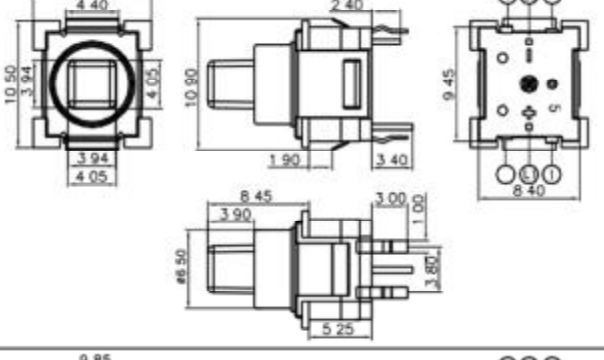
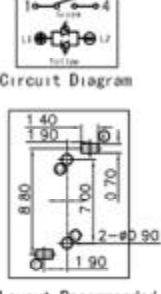
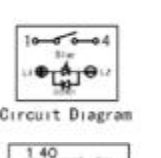

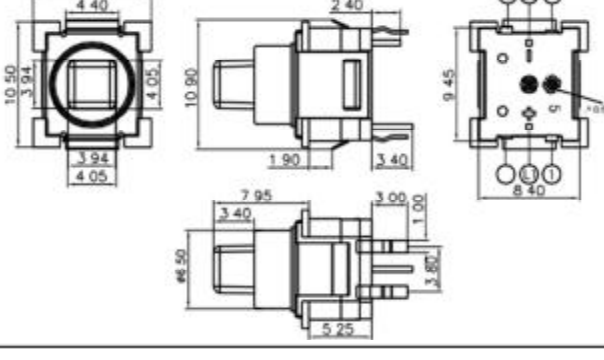
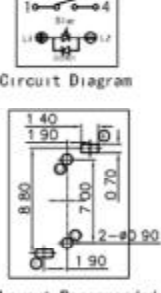

Pay attention to the use of LED lighting switch
 ①The polarity of LED is marked with the "+" mark on the bottom of the switch as the positive pole, marked with "-" mark as the negative pole.
 ②Please connect the current limiting resistor on the LED lighting loop. Because the switch has no internal limiting current resistance, it is full Foot LED characteristic, please notch the voltage condition, connect the current limiting resistor according to the following formula.



| Lighting Color | Material | V (V) | | L (mm) | | L (mm) | | Viewing angle at 90° (°) |
|----------------|----------|-------|-----|----------------------------|-----|--------|-----|--------------------------|
| | | Typ | Max | L1 | L2 | Min | Typ | |
| Red | AlGaInP | 2.0 | 2.5 | 630 | 640 | 18 | 90 | 90 |
| Orange | AlGaInP | 2.0 | 2.5 | 630 | 650 | 20 | 90 | 120 |
| Yellow | AlGaInP | 2.0 | 2.5 | 580 | 590 | 17 | 90 | 130 |
| Green | AlGaInP | 2.0 | 2.5 | 570 | 570 | 20 | 23 | 45 |
| Blue | InGaN | 3.2 | 3.6 | 520 | 520 | 35 | 200 | 200 |
| White | InGaN | 3.1 | 3.6 | 460 | 460 | 25 | 20 | 90 |
| | InGaN | 3.1 | 3.7 | R=0.25-0.31 T=0.34-0.35 | | 120 | 200 | 130 |



Diagram

| Model | Dimensions | Circuit Diagram |
|---|--|---|
|  T3105D0102454Y-14 |  |  Circuit Diagram  PCB Layout Recommended |
|  T3105D01024513Y-14 |  |  Circuit Diagram  PCB Layout Recommended |
|  T3105D01014513F-14 |  |  Circuit Diagram  PCB Layout Recommended |
|  T3985D0102454F-14 |  |  Circuit Diagram  PCB Layout Recommended |